

# ***GENERAL PURPOSE ENGINE***

**GP160H  
GP200H**

**PARTS CATALOGUE**

**3**



GP160H

---

FOREWORD INDEX

**1**

---

ENGINE GROUP

**2**

---

PART NUMBER INDEX

**3**

---

PART NAME INDEX

**4**

---



**Instruction for use of parts catalogue**

- **This parts catalogue was prepared based on the latest information available as of July 10, 2014.**
- See the parts catalogue news for any revision that is made after July 10, 2014.
- **Always specify the part number when ordering a part.**
- Check the model, type, serial numbers, color, maker, and the size as needed before ordering a part.
- Note that the illustrations (part drawings) can differ from the actual parts in shape. They are given just to help you to refer to the parts.
- **When modifications or additions to this parts catalogue are made, a revised edition will be issued at an appropriate time, with successively progressing revision numbers on the cover. We recommend obtaining such revisions in order to keep your parts catalogue up-to-date at all times. To check whether a parts catalogue revision has been issued, please contact your Honda distributor.**

Initial version issue date **November 20, 2013**  
**Honda Motor Co., Ltd.**

**CONTENTS**

	Page	Address No.
● Instruction for use of parts catalogue .....	1	B 1
● How to refer to the part information .....	2	B 2
● Part catalogue structure .....	3	B 3
● When the parts were revised .....	4	B 4
● Abbreviations used in the parts catalogue .....	4	B 4
● How to check the part block and serial numbers .....	5	B 5
● Models, parts catalogue codes and applicable serial numbers .....	6	B 6
● Features of each type .....	8	B 8
● Fuel hose, general purpose hoses and vinyl hose .....	12	B12
● FLAT RATE SERVICE TIME .....	13	B13
● Illustrated index .....	18	C 2
● ENGINE GROUP .....	21	D 1
● PART NO. INDEX .....	48	F 1
● PART NAME INDEX .....	50	G 1



**1**

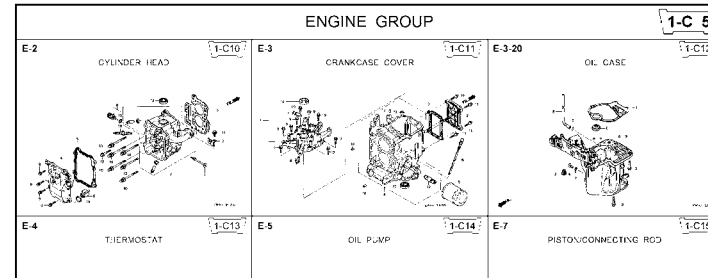
**2**

**3**

**4**

How to refer to the part information

A Reference with "Illustrated index"



B Reference with "Part number index"

PART NO. INDEX					
Part Number	Address	Page	Ref.	Part Number	Address Page
06000				15212-ZW9-000	1-C14 3C
06316-ZW9-000	1-69	88	1	15220-ZW9-003	1-C14 3C
11000				15332-ZW9-000	1-E8 55
11300-ZW9-405	1-C11	27	1	15332-ZW9-A30	1-E11 5E
11300-ZW9-406	1-C11	27	1	15400-PFB-004	1-C11 27
11340-ZW9-000	1-C11	27	2	15422-ZW9-000	1-C14 3C
11342-ZW9-000	1-C11	27	3	15473-881-000	1-C14 3C
11381-ZW9-003	1-C12	28	1	15474-ZW9-000	1-C14 3C
				15611-921-000	1-C10 2E
				15655-ZW9-000	1-C11 27
				16000	
12000				16010-ZV4-005	1-D4 3E
12000-ZW9-405ZA	1-C11	27	4	16011-ZV4-005	1-D4 3E
12155-ZV4-A00	1-C13	29	1	16013-ZW9-003	1-D4 3E
12166-ZW9-000	1-C10	26	1	16016-ZW9-003	1-D4 3E
12209-GB4-681	1-C16	32	1	16016-ZW9-721	1-D4 3E
12210-ZW9-405ZA	1-C10	26	2	16023-ZW9-003	1-D4 3E
12216-ZE2-300	1-E8	55	1	16024-ZV4-650	1-D4 3E
	1-E11	58	1	16028-ZV4-650	1-D4 3E

Ref. No.	Part No.	Description	Req'd QTY						Serial No.	Parts catalogue code
			99D1	99D1	1001	1001	1001	1001		
1	12166-ZW9-000	STOPPER, ENGINE SIDE	2	2	2	2	2			
2	12210-ZW9-000ZA	HEAD COMP., CYLINDER	1	1	1	1	1			
3	12251-ZW9-003	GASKET, CYLINDER HEAD	1	1	1	1	1			
4	12310-ZW9-000	COVER COMP., HEAD	1	1	1	1	1			
5	12312-ZW9-000	PACKING, HEAD COVER	1	1	1	1	1			
6	15611-921-000	CAP, OIL (NO GAUGE)	1	1	1	1	1			
7	16617-ZW9-000	HOLDER, CABLE	1	1	1	1	1		SC,SG	
	16617-ZW9-010		1	1	1	1	1	1001801	1001800 LHC,LHD	
			1	1	1	1	1		LHC,LHD	
8	35673-ZV5-003	SENSOR ASSY., WATER	1	1	1	1	1			
9	90003-ZW9-000	BOLT, FLANGE, 6X22	4	4	4	4	4			
10	90007-ZW9-003	BOLT, FLANGE, 8X83	6	6	6	6	6			
11	90011-ZW9-000	BOLT, FLANGE, 6X14(CT200)	1	1	1	1	1			
12	90020-ZW9-000	BOLT, FLANGE, 8X40	2	2	2	2	2			
13	91202-KJ9-003	OIL SEAL, 20X32X6	1	1	1	1	1			
14	91301-805-000	O-RING, 26X2.7	1	1	1	1	1			
15	91307-PK2-005	O-RING, 9.5X1.5(HONDA KIKAKI)	1	1	1	1	1			
16	98059-55916	PLUG, SPARK (CR5EH-9)	2	2	2	2	2			
	98059-55926	PLUG, SPARK (U16FER9)	2	2	2	2	2			

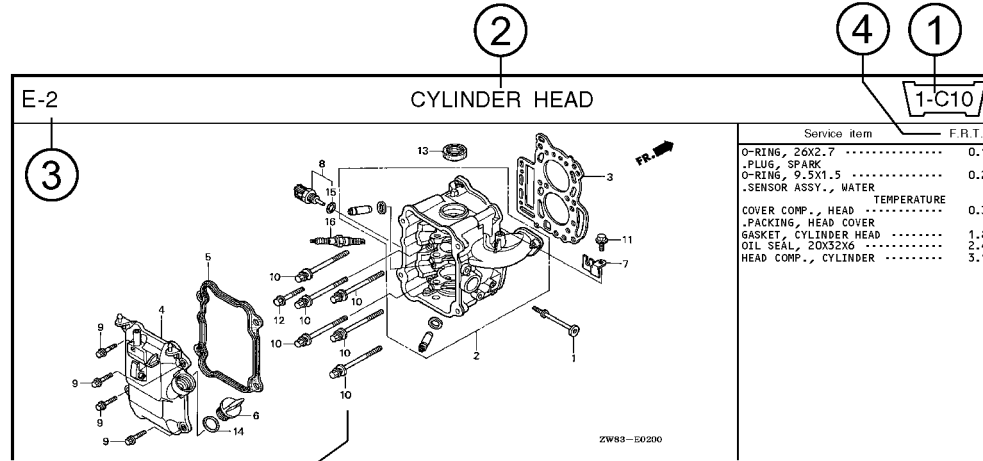
C Reference with "Part name index"

PART NAME INDEX					
Part name	Address	Page	Ref.		
[ A ]					
ABSORBER, FUEL	1-E15	62	5	BOLT,	
ARMATURE COMP.	1-D11	43	7	BOLT,	
ARM COMP., LINK JOINT	1-G6	85	18	BOLT,	
ARM COMP., SHIFT LINK	1-G6	85	14	BOLT,	
ARM COMP., TILT	1-F15	79	20		
ARM, FUEL PUMP ROCKER	1-C16	32	4		
ARM, REVERSE LOCK	1-F15	79	18		
ARM, SHIFT LINK	1-F11	74	7		
ARM, STOPPER	1-D1	33	12	BOLT,	
ARM, THROTTLE REMOTE	1-F11	74	6		
ARM, VALVE ROCKER	1-C16	32	3		
[ B ]					
BAG, TOOL, 160MM	1-G5	84	10		
BAND	1-G6	86	37		
BAND B1, WIRE	1-F6	69	1		
BAND, CORD	1-F3	67	18	BOLT,	
BAND, TUBE CLIP, 11MM	1-E15	63	20		
BAND, TUBE CLIP, 12.5MM	1-E15	63	19	BOLT,	

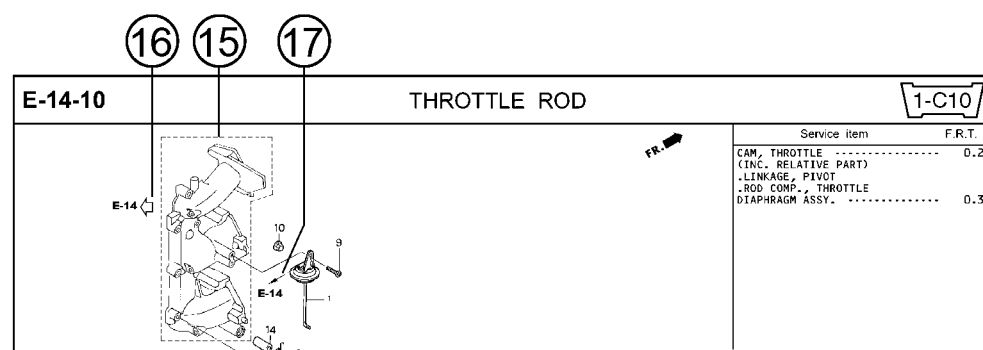
Page No.

2000.09.20 E

**Part catalogue structure**

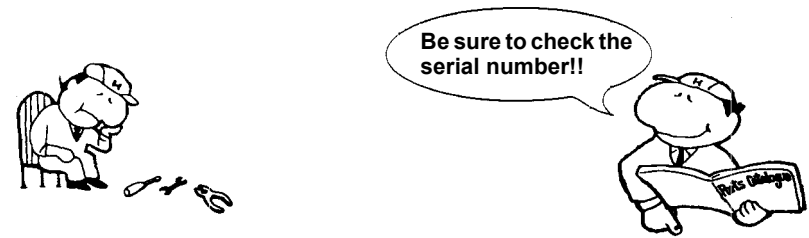


Ref. No.	Part No.	Description	Reqd. QTY						Serial No.	Parts catalogue code
			BF 9/9D1	BFP 9/9D1	BF 10D1	BFP 10D1	BF 10B1	BFP 10B1		
1	12166-ZW9-000	STOPPER, ENGINE SIDE	2	2	2	2	2	2		
2	12210-ZW9-000ZA	HEAD COMP., CYLINDER *NHS* ..... DARK GRAY	1	1	1	1	1	1		
3	12251-ZW9-003	GASKET, CYLINDER HEAD	1	1	1	1	1	1		
4	12310-ZW9-000	COVER COMP., HEAD	1	1	1	1	1	1		
5	12312-ZW9-000	PACKING, HEAD COVER	1	1	1	1	1	1		
6	15611-921-000	CAP, OIL (NO GAUGE)	1	1	1	1	1	1		
7	16617-ZW9-000	HOLDER, CABLE	1	1	1	1	1	1	SC,SG	
	16617-ZW9-010		1	1	1	1	1	1	1001800 LHC,LHD	



- ① **Address number**
  - Address No. is provided (in place of the page No.) to help you refer to the part with the part No. or part name.
- ② **Block title** ③ **Block number**
- ④ **Service item/Flat rate time**
- ⑤ **Reference number**
  - Title number marked with the parenthesis or parentheses indicates that it continues from the previous page.
- ⑥ **Part number** ⑦ **Honda color code**
- ⑧ **Description**
- ⑨ **Assemblies**
  - Sections framed with broken lines in the exploded view drawings are available as complete assemblies. (Their individual parts can also be obtained.)
- ⑩ **Color description**
- ⑪ **Note**
  - Notes are shown with the parentheses in the part name column.
- ⑫ **Required quantity**
  - Required QTY shown in the parenthesis or parentheses indicates the optional part.
  - Required QTY marked with "N" Indicates the optional part that should be selected as needed.
  - Required QTY indicates the number of the part used in the block.
- ⑬ **Serial number**
- ⑭ **Type**
  - When the type column is blank, it indicates that the part is applicable to all types.
  - As the type of the actual unit may differ from the "parts catalogue, type" please refer to "Models, types and applicable serial numbers" for confirmation.
- ⑮
  - Parts enclosed within a dotted line are covered in a different block.
- ⑯
  - A hollow arrow indicates the block No. for the parts enclosed within a dotted line .
- ⑰
  - A solid arrow indicates the block No. the part in question is connected to.

**When the parts were revised**



Ref. No.	Part No.	Description	Reqd. QTY						Serial No.
			BF 99D1	BFP 9.9D1	BF 10D1	BFP 10D1	BF 10B1	BFP 10B1	
1	12166-ZW9-000	STOPPER, ENGINE SIDE .....	2	2	2	2	2	2	
2	12210-ZW9-000ZA	HEAD COMP., CYLINDER *NHS* ..... DARK GRAY	1	1	1	1	1	1	
3	12251-ZW9-003	GASKET, CYLINDER HEAD .....	1	1	1	1	1	1	
4	12310-ZW9-000	COVER COMP., HEAD .....	1	1	1	1	1	1	
5	12312-ZW9-000	PACKING, HEAD COVER .....	1	1	1	1	1	1	
6	15611-921-000	CAP, OIL (NO GAUGE) .....	1	1	1	1	1	1	
7	16617-ZW9-000	HOLDER, CABLE (###) .....	1	1	1	1	1	1	SC, SG LHC, LHD LHC, LHD
	16617-ZW9-010	.....	1	1	1	1	1	1	

The number has been used from the initial model without revision.

When shown at the left side, it is applicable to the models of No.1001801 and the subsequent numbers.

When shown at the right side, it is applicable to the models up to No.1001800.

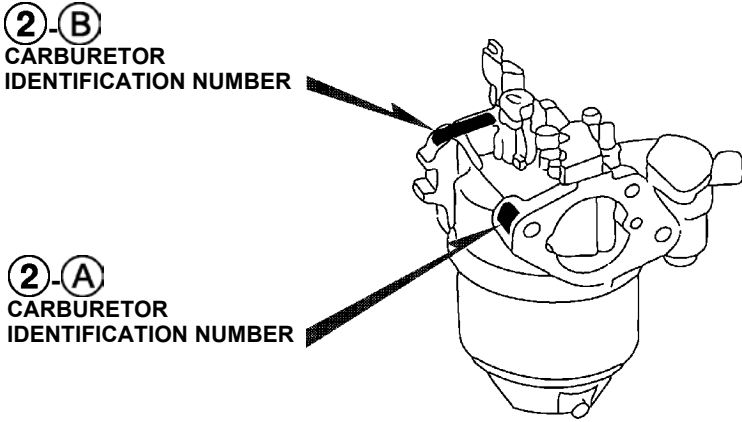
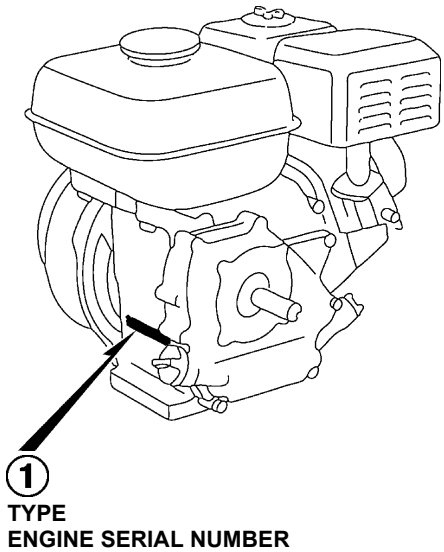
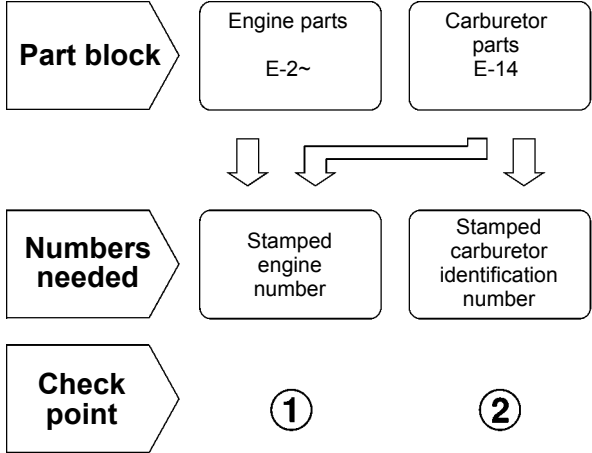
• The parts listed with "###" at the end of the parts name have limited supply period (parts not for sale).

**Abbreviations used in the parts catalogue**

• The following abbreviations are used in the parts name column.

- A ..... Ampere
- A.C. .... Alternating current
- ASSY. .... Assembly
- AT. .... Automatic transmission
- C.D.I. .... Capacitive discharge ignition
- COMP. ... Complete
- D.C. .... Direct current
- EX. .... Exhaust
- G.F.C.I ... Ground fault circuit interruptor
- HEX. .... Hexagonal
- H.S.T. .... Hydrostatic transmission
- FR. ....Front
- IN. ....Inlet
- L (100L) .Link (100 Links)
- L. ....Left
- MM .....Millimeter
- MT. ....Manual Transmission
- P.T.O. ....Power take off
- R. ....Right
- RR. ....Rear
- STD. ....Standard
- T (22T) ...Tooth (22 Teeth)
- V .....Volt
- W .....Watt

How to check the part block and serial numbers





**Models, parts catalogue codes and applicable serial numbers**

• Models, parts catalogue codes and applicable serial Nos. given in this parts catalogue can be identified as follows.

Model	Type	Parts catalogue type	Applicable engine serial No.	Applicable carburetor identification No.
GP160H	CH1	CH1	GCASH-1000001~	BEA2F A
	CHJ	CHJ		
	CHJ1	CHJ1		
	CHK	CHK		
	CHW	CHW		
	DHT	DHT		
	PMB1	PMB1		
	QD1	QD1		
	QH1	QH1		
	QHB1	QHB1		
	QHKR	QHKR		
	QHT	QHT		
	QMPB	QMPB		
	QX1	QX1		
	QX3	QX3		
	SD1	SD1		
SH1	SH1			
SHW	SHW			
VH1	VH1			

Model	Type	Parts catalogue type	Applicable engine serial No.	Applicable carburetor identification No.
GP160H	VX1	VX1	GCASH-1000001~	BEA2F A
	VX3	VX3		
	WH1	WH1		
	WHJ	WHJ		
	WHW	WHW		

Model	Type	Parts catalogue type	Applicable engine serial No.	Applicable carburetor identification No.
GP200H	CH1	CH1	GCATH-1000001~	BE69G A
	CHJ	CHJ		
	CHJ1	CHJ1		
	CHK	CHK		
	CHW	CHW		
	DHT	DHT		
	QD1	QD1		BE69F A
	QH1	QH1		BE69G A
	QHB1	QHB1		
	QHKR	QHKR		
	QHT	QHT		
	QMPB	QMPB		
	QX1	QX1		
	QX3	QX3		BE69F A
	SD1	SD1		
	SH1	SH1		
	SHW	SHW		
VX1	VX1			
VX3	VX3	BE69G A		

\* Of carburetor identification numbers, only the portions underlined in the example below are used for registration.

BE A2F A KC ナ  
 (A) (B)

Features of each type

• See the following table for the features of each type. (Items in brackets are optional)

Specifications		Model	GP160H													
		Type	CH1	CHJ	CHJ1	CHK	CHW	DHT	PMB1	QD1	QH1	QHB1	QHKR	QHT	QMPB	QX1
Crankshaft	M18 Stepped thread															
	3/4" Thread							●								
	19.8mm Ø Tapered															
	19mm Ø Straight								●	●	●	●	●	●	●	●
	20mm Ø Straight															
Camshaft P.T.O.	19mm Ø Straight						●									
	20mm Ø Straight	●	●	●	●	●										
Counter rotation			●	●	●	●	●									
Oil alert																●
Air cleaner	Dual		●	●	●	●	●	●	●		●	●	●	●	●	●
	Semi dry									●						

Specifications		Model	GP160H									
		Type	QX3	SD1	SH1	SHW	VH1	VX1	VX3	WH1	WHJ	WHW
Crankshaft	M18 Stepped thread									●	●	●
	3/4" Thread											
	19.8mm Ø Tapered					●	●	●				
	19mm Ø Straight	●										
	20mm Ø Straight		●	●	●							
Camshaft P.T.O.	19mm Ø Straight											
	20mm Ø Straight											
Counter rotation												
Oil alert		●						●	●			
Air cleaner	Dual	●		●	●	●	●	●	●	●	●	●
	Semi dry		●									

**1**

Specifications		Model	GP200H													
		Type	CH1	CHJ	CHJ1	CHK	CHW	DHT	QD1	QH1	QHB1	QHKR	QHT	QMPB	QX1	QX3
Crankshaft	M18 Stepped thread															
	3/4" Thread															
	19.8mm Ø Tapered															
	19mm Ø Straight							●	●	●	●	●	●	●	●	●
	20mm Ø Straight															
Camshaft P.T.O.	19mm Ø Straight						●									
	20mm Ø Straight	●	●	●	●	●										
Counter rotation		●	●	●	●	●	●									
Oil alert															●	●
Air cleaner	Dual	●	●	●	●	●	●		●	●	●	●	●	●	●	●
	Semi dry							●								

Specifications		Model	GP200H				
		Type	SD1	SH1	SHW	VX1	VX3
Crankshaft	M18 Stepped thread						
	3/4" Thread						
	19.8mm Ø Tapered				●	●	
	19mm Ø Straight						
	20mm Ø Straight	●	●	●			
Camshaft P.T.O.	19mm Ø Straight						
	20mm Ø Straight						
Counter rotation							
Oil alert					●	●	
Air cleaner	Dual		●	●	●	●	
	Semi dry	●					

## Fuel hose, general purpose hoses and vinyl hose

- The standard part fuel hose, general purpose hose and vinyl hose may be substituted by the coiled bulk part.
- When ordering the standard part fuel hose, general purpose hose and vinyl hose use the bulk part number written in the parts catalog in brackets ( ) underneath the part name.
- When exchanging the hose, cut and use at the specified length as mentioned in the part name.  
(For the method of cutting the bulk part, and method of filling out orders etc., please refer to the instructions issued with the bulk part.)

### Bulk part number of fuel hose, general purpose hose and vinyl hose.

Example: 9 5 0 0 1 - 7 5 0 0 1 - 5 0 M

**Bulk part number:**  
Refers to the bulk part.

**Marking code (fuel hose and general purpose hose)**

**Change code (Vinyl hose)**

Indicates number mark or change sequence, however, the code for the bulk part must be strictly 0 (zero).

**Types of code:**

- |             |  |                |             |              |               |
|-------------|--|----------------|-------------|--------------|---------------|
| • Fuel hose | 2: Red outside braid<br>(3 mm inside dia. only)        | • General hose | 1: Ash gray | • Vinyl hose | 1: Clear      |
|             | 5: Black inside braid                                  |                | 2: Ash gray |              | 2: Black      |
|             | 3: Red (3 mm inside dia. only)                         |                | 3: Black    |              | 3: Light red  |
|             | 4: Ash gray with red stripe<br>(3 mm inside dia. only) |                | 5: Black    |              | 6: Light red  |
|             | 6: Black   |                |             |              | 7: Pale black |

**Lengths:**

- 001: 1 m (standard)  
003: 3 m  
008: 8 m } Application or specification of some parts is not settled.

**I.D code: (fuel hose and general purpose hose)**

- |            |                    |                    |                             |                             |
|------------|--------------------|--------------------|-----------------------------|-----------------------------|
| 30: 3.0 mm | 50: 5.0 mm         | 70: 7.0 mm         | 11: 11 mm                   | 12: 12 (outside dia. 17) mm |
| 35: 3.5 mm | 55: 5.3 mm, 5.5 mm | 75: 7.3 mm, 7.5 mm | 91: 12 (outside dia. 15) mm | 14: 14 mm                   |
| 45: 4.5 mm | 65: 6.5 mm         | 80: 8.0 mm         | 92: 12 (outside dia. 16) mm | 17: 17 mm                   |

**ID./OD. code: (vinyl hose)**

- |                         |                          |                           |                           |                           |
|-------------------------|--------------------------|---------------------------|---------------------------|---------------------------|
| 01: ID. 2.9, OD. 6.8 mm | 12: ID. 5.0, OD. 7.0 mm  | 21: ID. 8.0, OD. 9.0 mm   | 37: ID. 11.0, OD. 15.0 mm | 50: ID. 16.0, OD. 19.0 mm |
| 03: ID. 3.0, OD. 6.0 mm | 10: ID. 5.0, OD. 8.0 mm  | 23: ID. 8.0, OD. 12.0 mm  | 38: ID. 12.0, OD. 13.0 mm | 55: ID. 17.5, OD. 20.5 mm |
| 05: ID. 3.5, OD. 6.5 mm | 11: ID. 5.0, OD. 9.0 mm  | 25: ID. 9.0, OD. 11.0 mm  | 39: ID. 12.0, OD. 14.0 mm | 60: ID. 22.0, OD. 27.0 mm |
| 07: ID. 4.0, OD. 7.0 mm | 14: ID. 6.0, OD. 9.0 mm  | 27: ID. 9.0, OD. 13.0 mm  | 40: ID. 12.0, OD. 16.0 mm |                           |
| 08: ID. 4.5, OD. 6.5 mm | 17: ID. 7.0, OD. 9.0 mm  | 33: ID. 10.0, OD. 14.0 mm | 43: ID. 13.0, OD. 15.0 mm |                           |
| 09: ID. 4.5, OD. 8.0 mm | 19: ID. 7.0, OD. 11.0 mm | 36: ID. 11.0, OD. 13.0 mm | 45: ID. 14.0, OD. 18.0 mm |                           |

**Hose type:**

- 1: Fuel hose  
3: Vinyl hose  
5: General hose

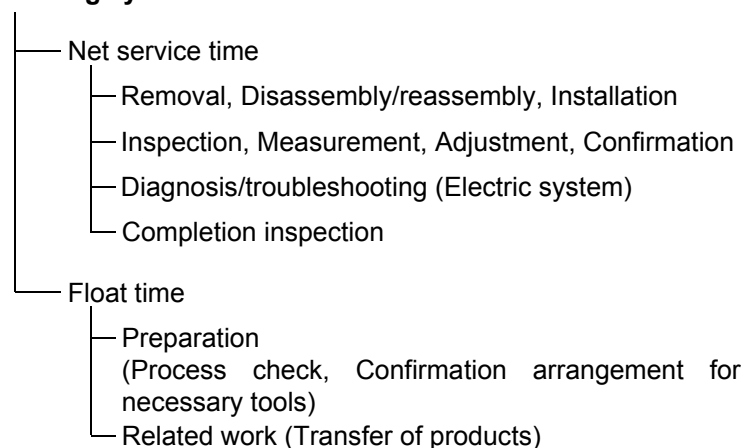
⊙ **CAUTION: It is DANGEROUS to confuse the fuel hose with the general purpose hose or vinyl hose.**

Never use a general purpose hose or vinyl hose in place of a fuel hose or vice versa. Always use the correct bulk part in the parts catalogue, according to the service manual or the instructions issued with the bulk part.

## FLAT RATE SERVICE TIME

Flat rate service time (FRT) means the standard time required to service a product, which is listed in this manual to help the dealers control the actual working process and calculate the service charge by using it as a guide.

### FRT setting system



\* Float time is set by multiplying the net service time by a given coefficient.

### Editorial style

The service items shown in the text are listed with the exchange work time for the repair sales parts as the subject. Other representative service items not using repair parts (removal/installation, adjustment, inspection/measuring, and other work) are listed collectively in the list in the preface, classified according to the work.

### FRT setting standard

- Decimal system (in unit of 0.1) is adopted to set FRT as it is convenient to calculate the wage.  
Example: (0.1) → 6 minutes, (0.2) → 12 minutes  
[Labor cost per hour] x [FRT] = [Wage]
- FRT is set with a hand tool.
- Service items and FRT can be subject to change depending on development of tools and service equipment and improvement in service procedure.



### Work procedure

- As the work procedure is set with the work time according to the method in the separate Service Manual, refer to this Manual as required.
- Work methods permitting servicing in the shortest time still permitting assurance of safe work and product warranty are used for the setting of service items not listed in the Service Manual.
- Work basically is to be performed by one person, and when two or more people are required, setting is done as the total time for the number of people.
- The set value for the technological level of the workers uses a person with three years of experience in the repair of Honda products as the standard.
- Special tools and service equipment used to set FRT are those specified or recommended in Service Manual.

### Service item whose FRT is not presented

- Accessories and service parts that are not listed to use in this manual.
  - Locations with little aging deterioration or breakage during normal use.
  - Service work that can be finished by one touch.
  - Service work that is seldom done (i.e. extremely small causes of trouble and service frequency).
  - Products and parts whose location for installation differs according to its status of use and application.
- \* When FRT is not presented, please calculate wages based on appropriate actual work time.

### Operation not included of FRT

- Oil and coolant water draining, Waiting time for warming up operation and etc..
- Additional operation that involves removal/installation of standard exterior equipment.
- Indirect time spent for service by visiting the customer, trade-in, and delivery.
- Indirect time required for ordering and delivery of parts.
- Cost for grease, adhesive agent, etc. used for service work.

**Explanation of FRT by using an example  
(The example may differ from the actual presented items)**

Ref. No.	L.O.N.	(Relative ref. Number) Description	F.R.T.
①	1111L1	④ (1, 3, 4, 7) VALVE, INTAKE .....4.1	②
②		• NOTE: OHV type ⑥	⑦
③	1111L1A	• Includes: Engine removal and installation One head (intake all) add ..... 1.4 ⑤	

- ① Reference No. of the illustration of part that shows location of the replacement work.
- ② FRT is an abbreviation of Flat Rate Time indicating the standard service time required for the replacement.
- ③ LON is an abbreviation of Labor Operation Number, and it is a classification of the service items by the work unit code.

The same operation code is used regardless of the models.

Standard operation is indicated with 6 digits code, and additional operation is indicated with 7 digits code.

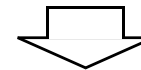
- ④ Indicating the intake valve replacement and FRT4.1.
- ⑤ Indicating FRT1.4 that will be added when additional operation (whole intake side of one cylinder head) is done in association with intake valve replacement.

- ⑥ Indicating work condition or application condition of the service item.
- ⑦ Indicating work contents that are included in the service item.
- ⑧ Indicating a reference No. whose operation and time are the same as FRT4.1 for the intake valve.

(The application range is limited to the service items without an LON setting within a same block.)

**How to refer to the service item by using the sample  
(intake valve replacement)**

Open to the page of the block where the intake valve's spare part illustration is shown.



Look for the intake valve illustration, and refer to the service item and FRT that agree with the reference No.

Indication mark for the listing of service items that continues to the following page

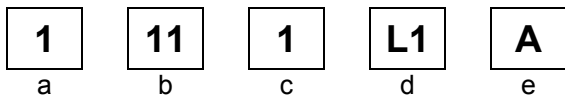
Ref. No.	L.O.N.	(Relative ref. Number) Description	F.R.T.
2	1111L1	VALVE, INTAKE .....	4.1
	.	.	.
	.	.	.

+  
Mark indicated at the last line.

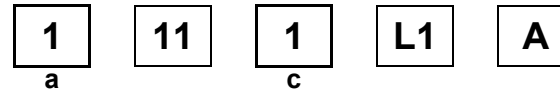
Indication of the block with no setting of FRT

Ref. No.	L.O.N.	(Relative ref. Number) Description	F.R.T.
<b>NO INFORMATION .....</b>			

• LON code system



- a) Category code..... Engine
- b) Location/function code..... Engine upper
- c) Operation code..... Replace
- d) Operation sequence number (Unit code can be shown with alphabet)  
..... Intake valve  
(No regular rule of code)
- e) Additional code ..... One head (intake all)  
(No regular rule of code)



a) Category codes and classification

Code	Category
1	Engine
2	Power drive
3	Fuel & Exhaust
4	Frame & Body
5	Steering
6	Electrical
7	Axle & Brake
8	Control system
9	-
0	Attachments

c) Operation codes and classification

Code	Operation category
1	Replace, Removal/Installation, Change
2	Overhaul
3	Adjust, Rotation
4	(Paint-related work: Top-coat)
5	Test, Inspect/diagnose, Measurement
6	(Overhaul-related work: Rebore)
7	(Overhaul-related work: Reseal)
8	(Resurface)
9	(Paint-related work: Refinish)
0	Repair, Cleaning, Air bleeding

Major service items without using spare parts  
Adjustment, Inspection/Measurement, Overhaul, Other work

E: Engine, T: Transmission, D: Drive system, B: Body and related parts

#### • Adjustment

	LON	DESCRIPTION	FRT
E	1113A1	<b>VALVE CLEARANCE-ADJUSTMENT</b> NOTE: For 1 product	0.3
	1163A0	<b>CONTROL, THROTTLE/GOVERNOR-ADJUSTMENT</b>	0.2
	3113A2	<b>CARBURETOR IDLE-ADJUSTMENT</b>	0.2

#### • Inspection/Measurement

	LON	DESCRIPTION	FRT
E	1105A0	<b>ENGINE OIL-INSPECTION</b>	0.1

#### • Overhaul

Work condition: The required Measurements, inspections, adjustments, and cleaning/washing of each part are performed, including the main body removal/installation work and the replacement of defective parts.

	LON	DESCRIPTION	FRT
E	3112A0	<b>CARBURETOR-OVERHAUL</b> INCLUDES: All necessary adjustment	0.6

#### • Other work

	LON	DESCRIPTION	FRT
E	1101E1	<b>ENGINE OIL-CHANGE</b> INCLUDES: Engine oil-inspection	0.1
	3120A0	<b>AIR CLEANER-CLEANING</b> INCLUDES: Air cleaner-inspection	0.2
	6140A0	<b>SPARK PLUG-ADJUSTMENT/CLEANING</b> INCLUDES: Spark plug check NOTE: For 1 product	0.1

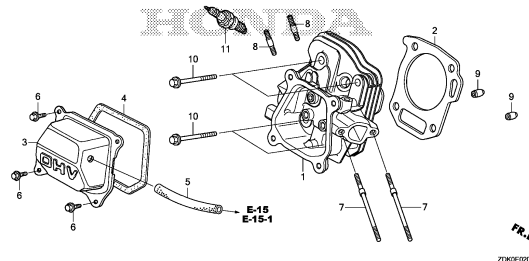
# ENGINE GROUP

C 2

E-2

CYLINDER HEAD

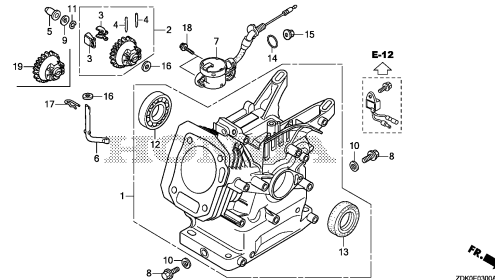
D 1



E-3

CYLINDER BARREL

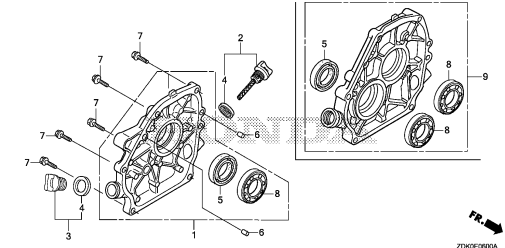
D 2



E-6

CRANKCASE COVER

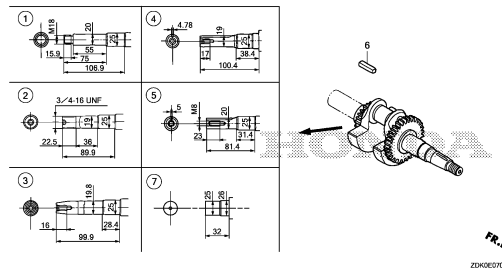
D 4



E-7

CRANKSHAFT

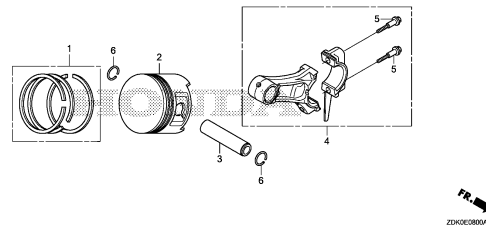
D 5



E-8

PISTON

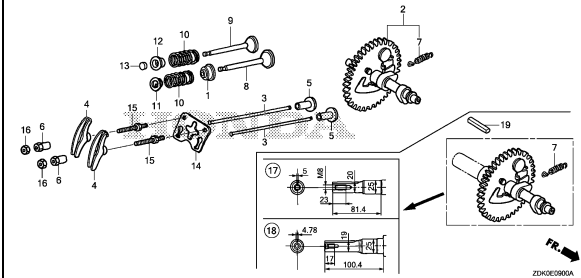
D 6



E-9

CAMSHAFT

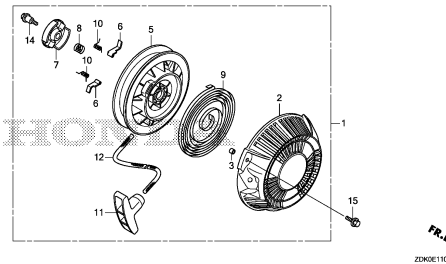
D 7



E-11

RECOIL STARTER(1)

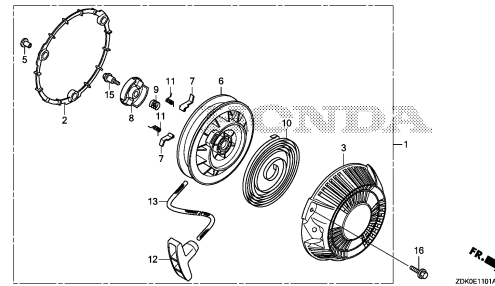
D10



E-11-1

RECOIL STARTER(2)

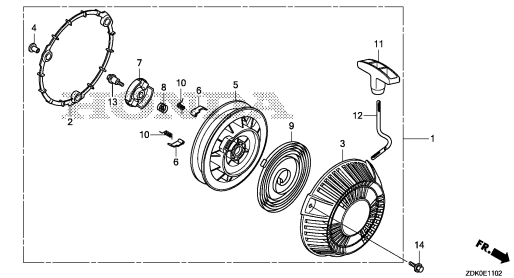
D11



E-11-2

RECOIL STARTER(3)(COUNTER ROTATION)

D12



2

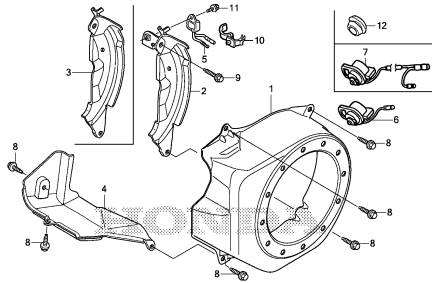
# ENGINE GROUP

C 3

E-12

FAN COVER

D13

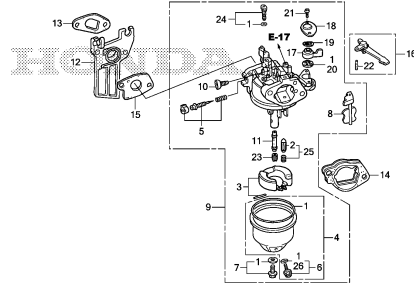


FR →  
ZDK0E1200A

E-14

CARBURETOR

D14

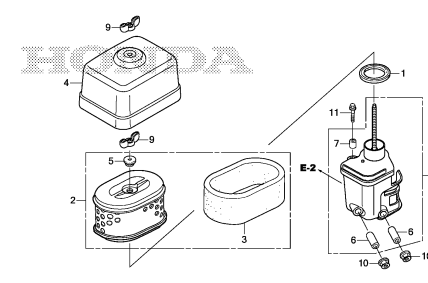


FR →  
ZDK0E1400B

E-15

AIR CLEANER(DUAL)

D16

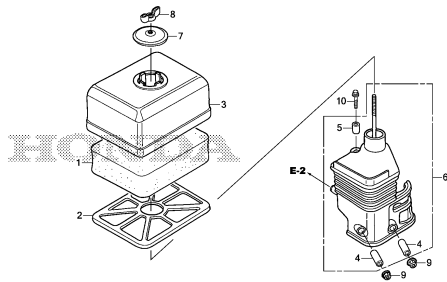


FR →  
ZDK0E1500

E-15-1

AIR CLEANER(SEMI DRY)

E 1

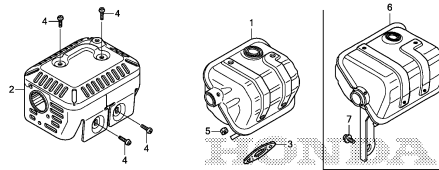


FR →  
ZDK0E1501

E-16

MUFFLER

E 2

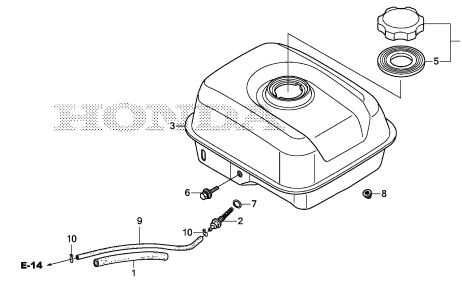


FR →  
ZDK0E1600A

E-17

FUEL TANK

E 3

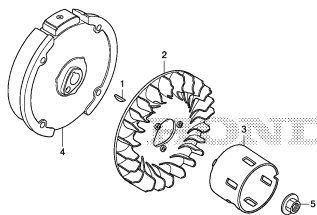


FR →  
ZDK0E1700

E-19

FLYWHEEL

E 4

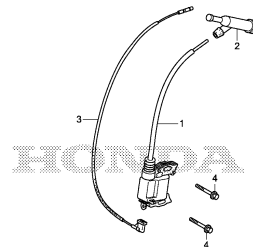


FR →  
ZDK0E1900

E-20

IGNITION COIL

E 5

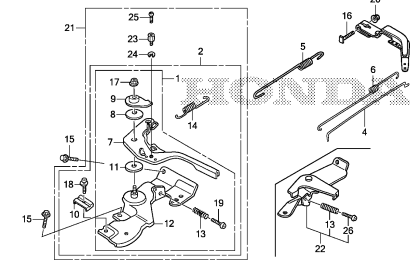


FR →  
ZDK0E2000

E-22

CONTROL

E 6



FR →  
ZDK0E2200A

2

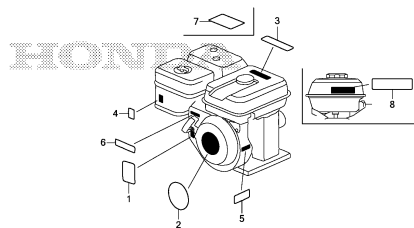
# ENGINE GROUP

C 4

E-28

LABEL

E 8

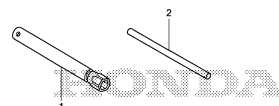


ZD40E2800A

E-29

TOOL

E 9

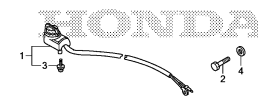


ZD40E2900

E-40

OTHER PARTS

E10

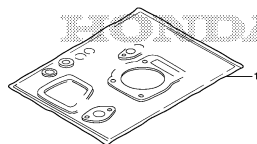


ZD40E4000

EOP-1

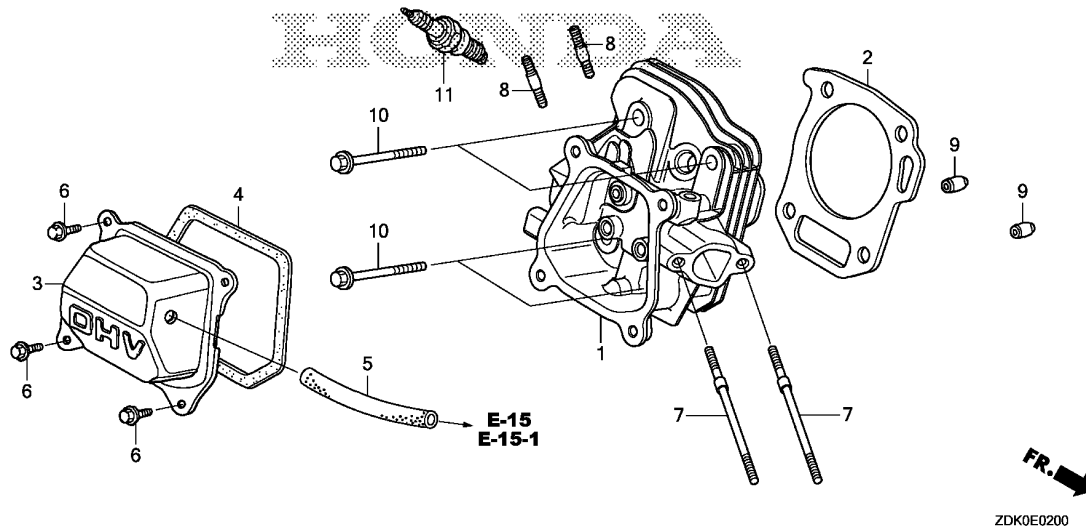
GASKET KIT

E11



ZD40E0100

2



Ref. No.	L.O.N.	(Relative ref. Number) Description	F.R.T.
1	1111N3	HEAD, CYLINDER ..... .INCLUDES: Valve clearance adjustment and reface	0.9
2	1111N4	GASKET, CYLINDER HEAD ..... (4)	0.5
3	1111D5	CYLINDER HEAD COVER AND/OR PACKING .....	0.1
5	1111K5	TUBE, BREATHER .....	0.1
11	6141C1	PLUG, SPARK ..... .INCLUDES: Spark plug check	0.1

Ref. No.	Part No.	Description	Reqd. QTY		Serial No.	Parts catalogue code
			GP 160 H	GP 200 H		
1	12210-Z1T-405	HEAD COMP., CYLINDER .....	1	1		
2	12251-ZL0-003	GASKET, CYLINDER HEAD (NIPPON LEAKLESS)	1	1		
3	12310-ZE1-020	COVER COMP., HEAD .....	1	1		
4	12312-Z1T-701	PACKING, HEAD COVER (NINGBO SIL GASKET)	1	1		
	12391-ZE1-000	PACKING, HEAD COVER .....	(1)	(1)		
5	15721-ZH8-000	TUBE, BREATHER .....	1	1		
6	90013-883-000	BOLT, FLANGE, 6X12(CT200) ...	4	4		
7	90043-ZDK-000	BOLT, STUD, 6X112 .....	2	2		
8	90047-ZDK-000	BOLT, STUD, 8X32 .....	2	2		
9	94301-10160	DOWEL PIN, 10X16 .....	2	2		
10	95701-08060-00	BOLT, FLANGE, 8X60 .....	4	4		
11	98079-56846	PLUG, SPARK (BPR6ES) (NGK) ....	1	1		
	98079-56855	PLUG, SPARK (W20EPR-U) (DENSO)	1	1	-----	CH1,CHJ,CHJ1,CHK,CHW,DHT,QD1,QH1,QHB1,QHKR,QHT,QMPB,QX1,QX3,SD1,SH1,SHW,VH1,VX1,VX3

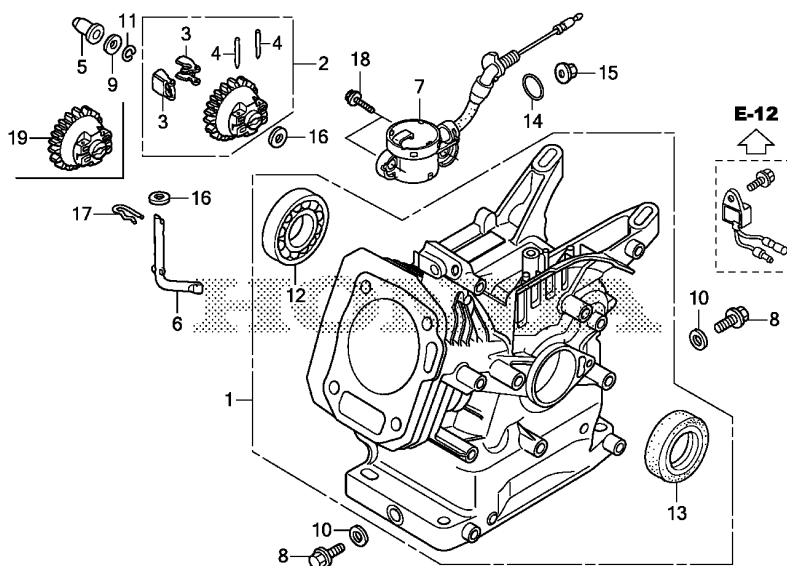




E-3

CYLINDER BARREL

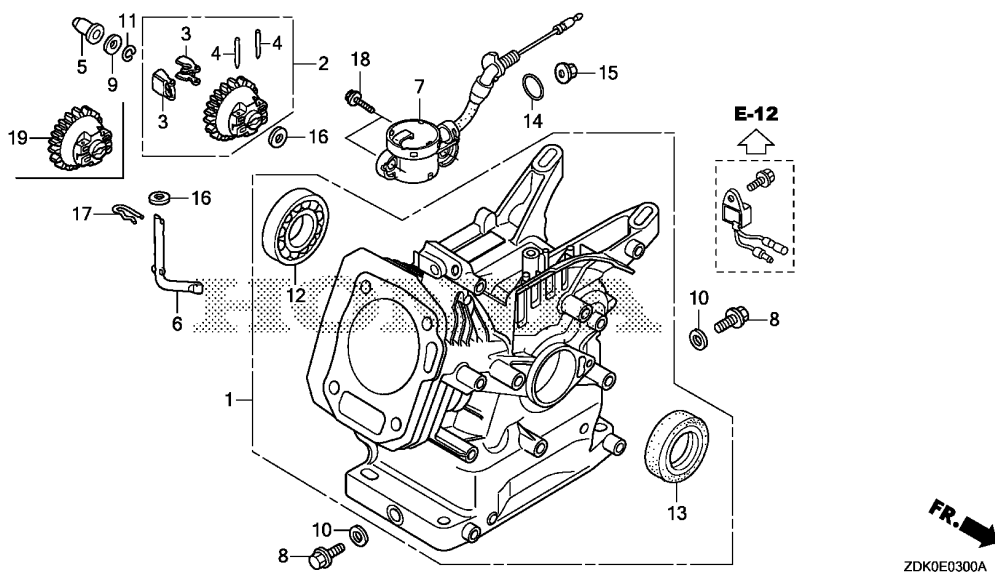
D 2



Ref. No.	L.O.N.	(Relative ref. Number) Description	F.R.T.
1	1101A0	BARREL, CYLINDER .....	2.0
2		(3,19)	
1161C4		GOVERNOR ASSEMBLY .....	1.0
5	1161B6	SLIDER, GOVERNOR .....	0.4
6	1161B4	SHAFT, GOVERNOR ARM .....	0.9
7		(14)	
6151E8		SWITCH, OIL LEVEL .....	0.5
12	1101A4	BEARING, CRANKSHAFT :FRONT ...	1.9
13	1101E4	OIL SEAL, CRANKSHAFT :FRONT ..	1.8

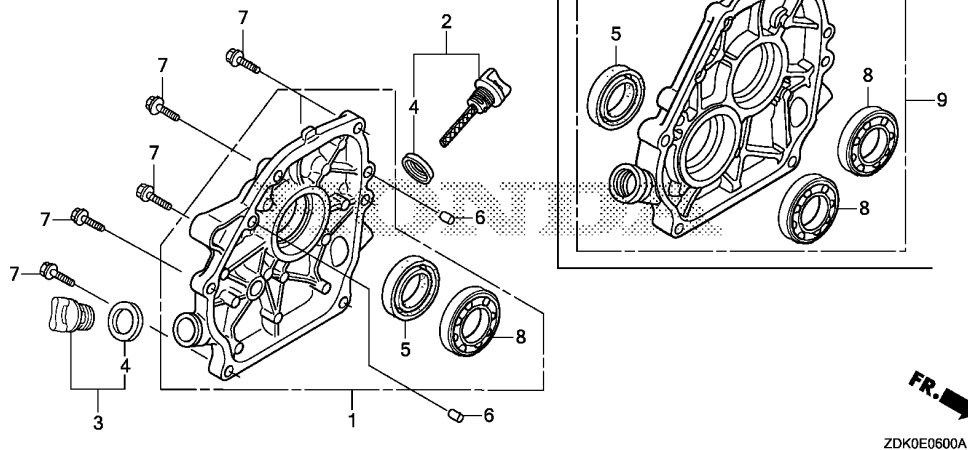
ZDK0E0300A

Ref. No.	Part No.	Description	Reqd. QTY		Serial No.	Parts catalogue code
			GP 160 H	GP 200 H		
1	12000-ZDK-405	BARREL ASSY., CYLINDER .....	1	-	-----	CH1,CHJ,CHJ1,CHK,CHW,DHT,PMB1,QD1,QH1,QHB1,QHKR,QHT,QMPB,SD1,SH1,SHW
	12000-ZDK-406	.....	1	-	-----	VH1,WH1,WHJ,WHW
	12000-ZDL-405	.....	-	1	-----	QX1,QX3,VX1,VX3
	12000-ZDL-406	.....	-	1	-----	CH1,CHJ,CHJ1,CHK,CHW,DHT,QD1,QH1,QHB1,QHKR,QHT,QMPB,SD1,SH1,SHW
	12000-ZDL-406	.....	-	1	-----	QX1,QX3,VX1,VX3
2	16510-Z1T-000	GOVERNOR ASSY. ....	1	-		
3	16511-ZE1-000	WEIGHT, GOVERNOR .....	2	-		
4	16513-ZE1-000	PIN, GOVERNOR WEIGHT .....	2	-		
5	16531-Z1T-000	SLIDER, GOVERNOR .....	1	1		
6	16541-Z1T-000	SHAFT, GOVERNOR ARM .....	1	1		
7	35480-Z0T-003	SWITCH ASSY., OIL LEVEL .....	1	1	-----	QX1,QX3,VX1,VX3
8	90131-ZE1-000	BOLT, DRAIN PLUG .....	2	2		
9	90451-Z1T-000	WASHER, THRUST, 6MM .....	1	1		
10	90601-ZE1-000	WASHER, DRAIN PLUG, 10.2MM ..	2	2		
11	90602-ZE1-000	CLIP, GOVERNOR HOLDER .....	1	1		
12	91001-Z1T-003	BEARING, RADIAL BALL, 6205				
		(NSK)	1	1		
	91001-ZF1-003	BEARING, RADIAL BALL(6205TMB)				
		(NTN)	1	1		
	91001-ZF1-004	BEARING, RADIAL BALL(6205SH)				
		(KOYO)	1	1		
13	91202-Z1T-003	OIL SEAL, 25X41X6 .....	1	1		
14	91353-Z7E-003	O-RING, 14MM .....	1	1	-----	QX1,QX3,VX1,VX3
15	94050-10000	NUT, FLANGE, 10MM .....	1	1	-----	QX1,QX3,VX1,VX3
16	94101-06800	WASHER, PLAIN, 6MM .....	2	2		
17	94251-08000	PIN, LOCK, 8MM .....	1	1		



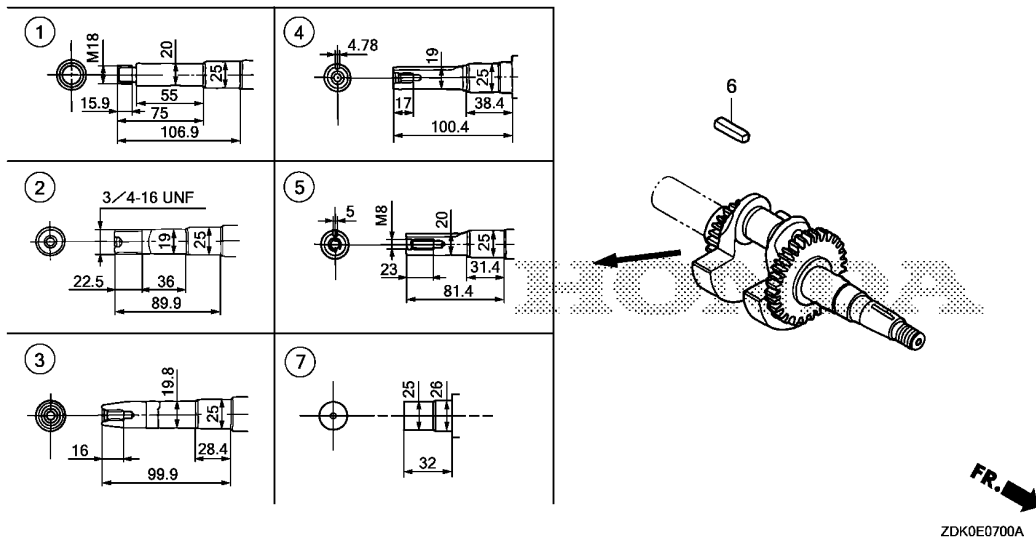
Ref. No.	Part No.	Description	Reqd. QTY		Serial No.	Parts catalogue code
			GP 160 H	GP 200 H		
18	95701-06012-00	BOLT, FLANGE, 6X12 .....	2	2	-----	QX1,QX3,VX1,VX3
19	16510-ZDL-000	GOVERNOR ASSY. ....	-	1		





Ref. No.	L.O.N.	(Relative ref. Number) Description	F.R.T.
1	(9)		
1101F1		COVER, CRANKCASE .....	0.2
1101E5		OIL SEAL, CRANKSHAFT :REAR ...	0.3
1101A6		BEARING, CRANKSHAFT :REAR ....	0.4
1111F0		BEARING, CAMSHAFT :REAR .....	0.4

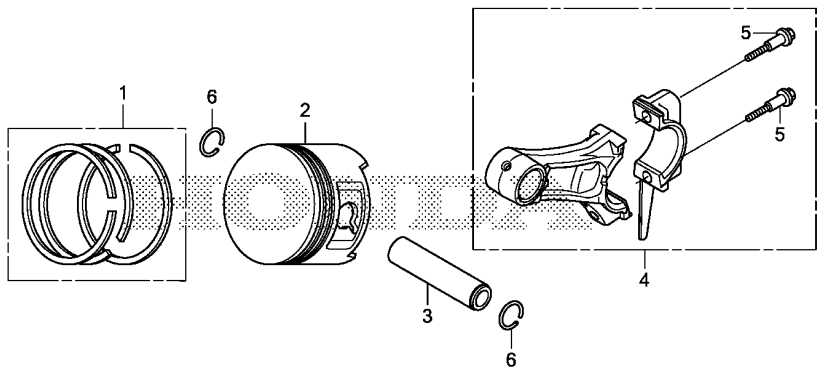
Ref. No.	Part No.	Description	Reqd. QTY		Serial No.	Parts catalogue code
			GP 160 H	GP 200 H		
1	11300-ZDK-630	COVER ASSY., CRANKCASE .....	1	1	-----	PMB1,SD1,SH1,SHW,WH1,WHJ,WHW
	11300-ZDK-640	.....	1	1	-----	QD1,QH1,QHB1,QHKR,QHT,QMPB,QX1,QX3,VH1,VX1,VX3
2	15600-Z1T-000	CAP ASSY., OIL FILLER .....	1	1		
3	15600-Z1T-600	CAP ASSY., OIL FILLER .....	1	1		
4	15625-Z1T-000	PACKING, OIL FILLER CAP .....	2	2		
5	91202-Z1T-003	OIL SEAL, 25X41X6 .....	1	1		
6	94301-08140	DOWEL PIN, 8X14 .....	2	2		
7	95701-08032-00	BOLT, FLANGE, 8X32 .....	6	6		
8	96100-62050-00	BEARING, RADIAL BALL, 6205 ..	2	2	-----	CH1,CHJ,CHJ1,CHK,CHW,DHT
			1	1	-----	PMB1,QD1,QH1,QHB1,QHKR,QHT,QMPB,QX1,QX3,SD1,SH1,SHW,VH1,VX1,VX3,WH1,WHJ,WHW
9	11300-ZDK-680	COVER ASSY., CRANKCASE .....	1	1	-----	CH1,CHJ,CHJ1,CHK,CHW,DHT



Ref. No.	L.O.N. (Relative ref. Number)	Description	F.R.T.
1	(2,3,4,5,7)	1101F0 CRANKSHAFT .....	1.1

Ref. No.	Part No.	Description	Reqd. QTY		Serial No.	Parts catalogue code
			GP 160 H	GP 200 H		
1	13310-Z1T-630	CRANKSHAFT COMP. ....	1	-	----- WH1,WHJ,WHW	
2	13310-Z1T-650	CRANKSHAFT COMP. ....	1	-	----- PMB1	
3	13310-Z1T-670	CRANKSHAFT COMP. ....	1	-	----- VH1,VX1,VX3	
	13310-ZCW-670	.....	-	1	----- VX1,VX3	
4	13310-Z1T-800	CRANKSHAFT COMP. ....	1	-	----- QD1,QH1,QHB1,QHCR,QHT,QMPB,QX1,QX3	
	13310-ZCW-600	.....	-	1	----- QD1,QH1,QHB1,QHCR,QHT,QMPB,QX1,QX3	
5	13310-Z1T-880	CRANKSHAFT COMP. ....	1	-	----- SD1,SH1,SHW	
	13310-ZCW-000	.....	-	1	----- SD1,SH1,SHW	
6	90741-883-810	KEY, 5X5X33(YELLOW) .....	1	1	----- CHJ,CHJ1,SD1,SH1,SHW	
	90745-ZE1-600	KEY, 4.78X4.78X38 .....	1	1	----- QD1,QH1,QHCR,QHT,QX1,QX3	
7	13310-ZDK-681	CRANKSHAFT COMP. ....	1	-	----- CH1,CHJ,CHJ1,CHK,CHW,DHT	
	13310-ZDL-681	.....	-	1	----- CH1,CHJ,CHJ1,CHK,CHW,DHT	

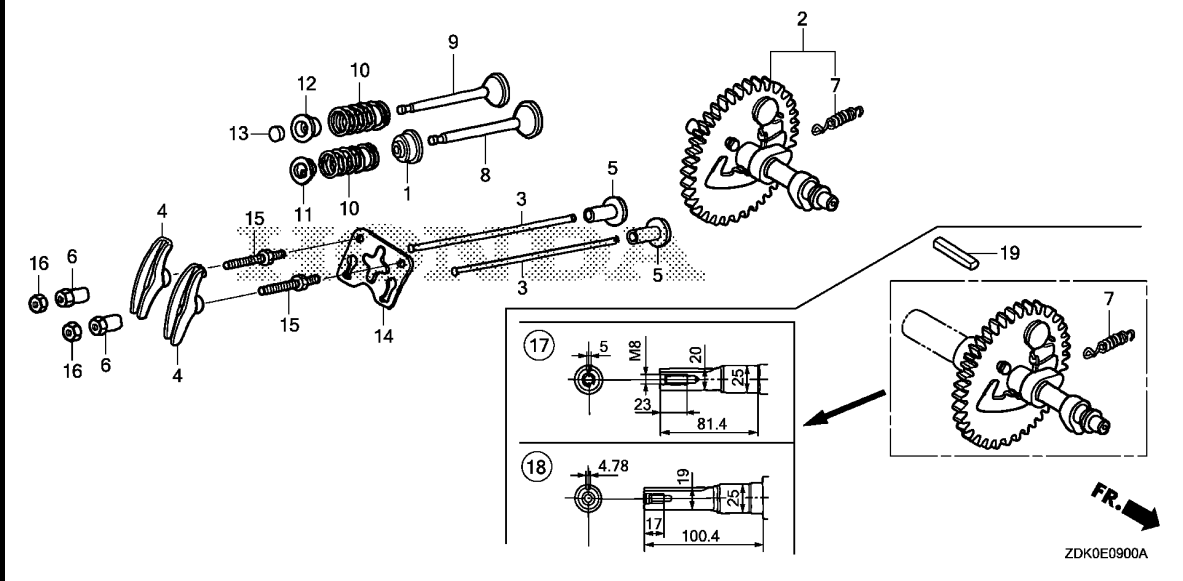




FR. ZDK0E0800A

Ref. No.	L.O.N.	(Relative ref. Number) Description	F.R.T.
2	1111R1	(1,3,4) PISTON AND/OR RING SET AND/OR BEARING AND/OR ROD ..... INCLUDES: Inspection/ Measurement/Cleaning	1.1

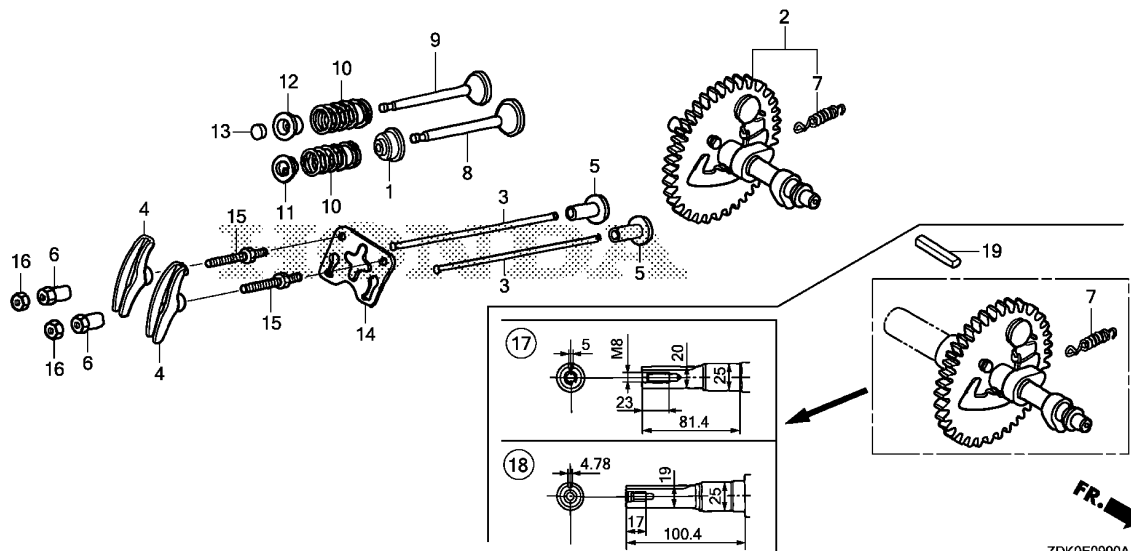
Ref. No.	Part No.	Description	Reqd. QTY		Serial No.	Parts catalogue code
			GP 160 H	GP 200 H		
1	13010-Z4K-004	RING SET, PISTON(STD.) (TPR) -	1	1		
	13010-Z4P-003	RING SET, PISTON(STD.) (RIKEN)	1	1		
	13011-Z4K-004	RING SET, PISTON(0.25) (TPR) -	(1)	(1)		
	13011-Z4P-003	RING SET, PISTON(0.25) (RIKEN)	(1)	(1)		
	13012-Z4K-004	RING SET, PISTON(0.50) (TPR) -	(1)	(1)		
	13012-Z4P-003	RING SET, PISTON(0.50) (RIKEN)	(1)	(1)		
	13013-Z4K-004	RING SET, PISTON(0.75) (TPR) -	(1)	(1)		
	13013-Z4P-003	RING SET, PISTON(0.75) (RIKEN)	(1)	(1)		
2	13101-Z1T-010	PISTON(STD.) (JIALING-HONDA) -	1	-		
	13102-Z1T-000	PISTON(0.25) .....	(1)	-		
	13103-Z1T-000	PISTON(0.50) .....	(1)	-		
	13104-Z1T-000	PISTON(0.75) .....	(1)	-		
	13101-ZDL-003	PISTON(STD.) .....	-	1		
	13102-ZDL-003	PISTON(0.25) .....	-	(1)		
	13103-ZDL-003	PISTON(0.50) .....	-	(1)		
	13104-ZDL-003	PISTON(0.75) .....	-	(1)		
3	13111-Z1T-000	PIN, PISTON .....	1	1		
4	13200-Z1T-600	ROD ASSY., CONNECTING(JLH) ..	1	1		
5	90001-Z1T-000	BOLT, CONNECTING ROD .....	2	2		
6	90551-ZE1-000	CLIP, PISTON PIN, 18MM .....	2	2		



Ref. No.	L.O.N.	(Relative ref. Number) Description	F.R.T.
1	1111K2	SEAL, INTAKE VALVE STEM ..... .INCLUDES: Valve clearance adjustment (17,18)	0.6
2	1111C2	CAMSHAFT ..... .INCLUDES: Valve clearance adjustment	0.4
3	1111L6	ROD, PUSH :INTAKE ..... .INCLUDES: Valve clearance adjustment	0.2
	1111L7	ROD, PUSH :EXHAUST ..... .INCLUDES: Valve clearance adjustment	0.2
	1111L8	ROD, PUSH :BOTH ..... .INCLUDES: Valve clearance adjustment	0.3
4	1111A2	ARM, ROCKER :INTAKE ..... .INCLUDES: Valve clearance adjustment	0.2
	1111A2A	.Replace exhaust rocker arm add .....	0.1
	1111A1	ARM, ROCKER :EXHAUST ..... .INCLUDES: Valve clearance adjustment	0.2
	1111A1A	.Replace intake rocker arm add .....	0.1

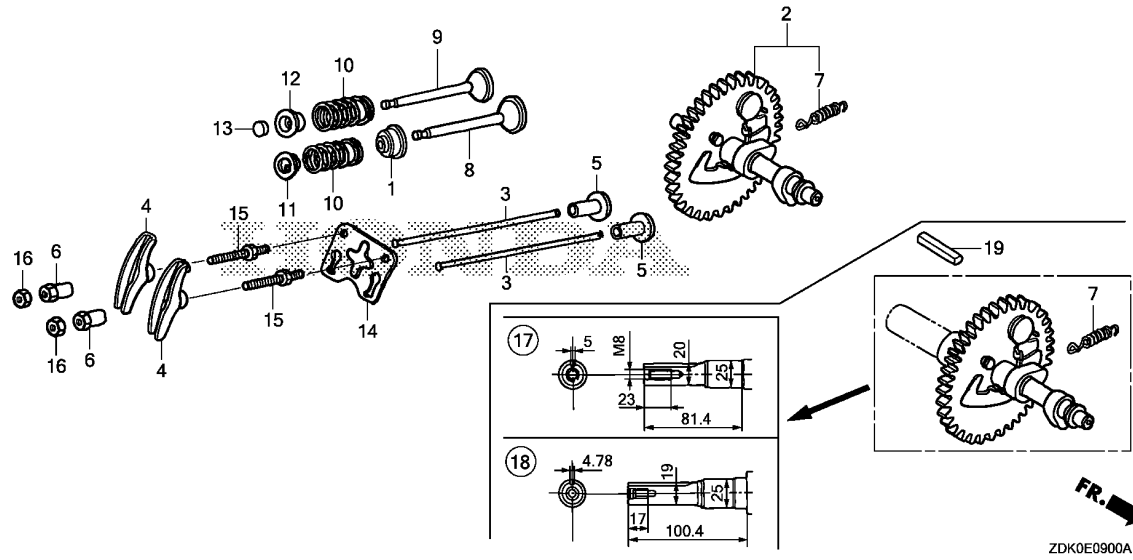
Ref. No.	Part No.	Description	Reqd. QTY		Serial No.	Parts catalogue code
			GP 160 H	GP 200 H		
1	12209-ZH8-003	SEAL, VALVE STEM .....	1	1		
2	14100-Z1T-810	CAMSHAFT ASSY.(JLH) .....	1	-	-----	PMB1,QD1,QH1,QHB1,QHKR,QHT,QMPB,QX1,QX3,SD1,SH1,SHW,VH1,VX1,VX3,WH1 WHJ,WHW
	14100-ZL0-000	CAMSHAFT ASSY. ....	-	1	-----	QD1,QH1,QHB1,QHKR,QHT,QMPB,QX1,QX3,SD1,SH1,SHW,VX1,VX3
3	14410-ZE1-010	ROD, PUSH .....	2	2		
4	14431-ZE1-000	ARM, VALVE ROCKER .....	2	2		
5	14441-ZE1-010	LIFTER, VALVE .....	2	-		
	14731-ZL0-000	.....	-	2		
6	14451-Z7E-000	PIVOT, ROCKER ARM .....	2	2		
7	14568-ZE1-000	SPRING, WEIGHT RETURN .....	1	1		
8	14711-ZF1-000	VALVE, IN. ....	1	1		
9	14721-ZF1-000	VALVE, EX. ....	1	1		
10	14751-ZF1-000	SPRING, VALVE .....	2	2		
11	14771-ZE1-000	RETAINER, IN. VALVE SPRING ..	1	1		
12	14773-ZE1-000	RETAINER, EX. VALVE SPRING ..	1	1		
13	14781-ZE1-000	ROTATOR, VALVE .....	1	1		
14	14791-ZE1-010	PLATE, PUSH ROD GUIDE .....	1	1		
15	90012-ZE0-010	BOLT, PIVOT, 8MM .....	2	2		
16	90206-ZE1-000	NUT, PIVOT ADJUSTING .....	2	2		
17	14100-ZDK-681	CAMSHAFT ASSY. ....	1	-	-----	CH1,CHJ,CHJ1,CHK,CHW
	14100-ZDL-681	.....	-	1	-----	CH1,CHJ,CHJ1,CHK,CHW
18	14100-ZDK-751	CAMSHAFT ASSY. ....	1	-	-----	DHT
	14100-ZDL-751	.....	-	1	-----	DHT
19	90741-883-810	KEY, 5X5X33(YELLOW) .....	1	1	-----	CH1,CHK,CHW
	90745-ZE1-600	KEY, 4.78X4.78X38 .....	1	1	-----	DHT





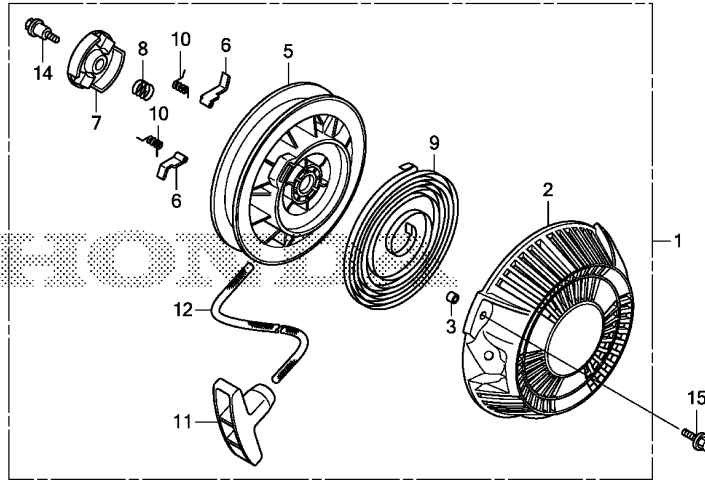
Ref. No.	L.O.N.	(Relative ref. Number) Description	F.R.T.
5	1111L9	LIFTER, VALVE :INTAKE ..... .INCLUDES: Valve clearance adjustment	0.4
	1111M0	LIFTER, VALVE :EXHAUST ..... .INCLUDES: Valve clearance adjustment	0.4
	1111M1	LIFTER, VALVE :BOTH ..... .INCLUDES: Valve clearance adjustment	0.4
8	1111L1	VALVE, INTAKE ..... .INCLUDES: Valve clearance adjustment and reface	0.7
	1111L1E	.Replace intake and exhaust all add .....	0.2
9	1111L0	VALVE, EXHAUST ..... .INCLUDES: Valve clearance adjustment and reface	0.7
	1111L0E	.Replace intake and exhaust all add .....	0.2
10	1111P3	SPRING, VALVE :INTAKE ..... .INCLUDES: Valve clearance adjustment	0.6
	1111P3A	.Replace intake and exhaust all add .....	0.1
+	1111P4	SPRING, VALVE :EXHAUST ..... .INCLUDES: Valve clearance adjustment	0.6

ZDK0E0900A



Ref. No.	L.O.N.	(Relative ref. Number) Description	F.R.T.
+10		.INCLUDES: Valve clearance adjustment	
1111P4A		.Replace intake and exhaust all add .....	0.1
13 1111J7		ROTATOR, VALVE .....	0.2
		.INCLUDES: Valve clearance adjustment	

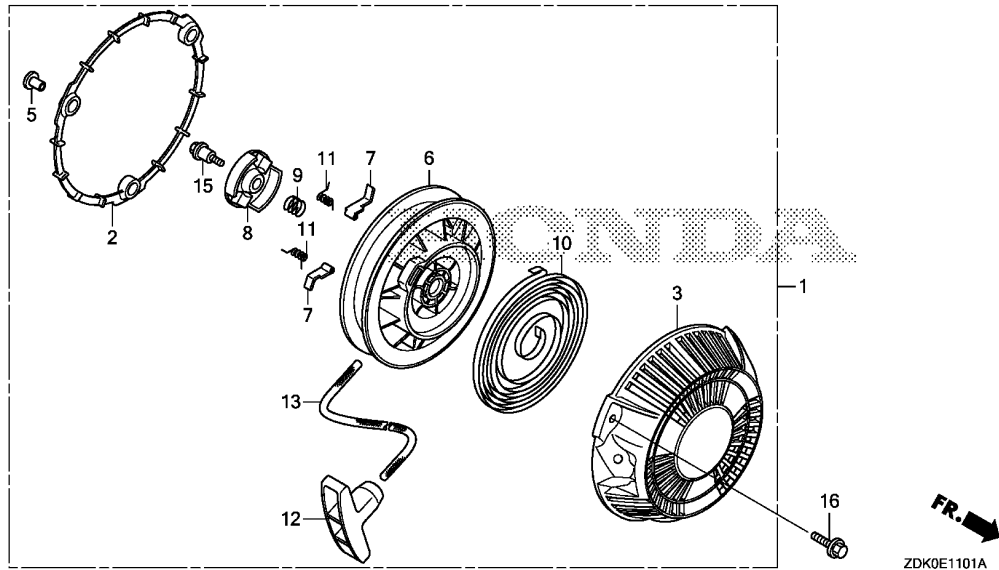




ZDK0E1100A

Ref. No.	L.O.N.	(Relative ref. Number) Description	F.R.T.
1	1121B9	STARTER, RECOIL .....	0.1
5	1121B1	REEL, RECOIL STARTER .....	0.3
6	1121B0	STARTER RATCHET AND/OR SPRING .NOTE: Same time for two units	0.2
7	1121A4	GUIDE, RATCHET .....	0.2
9	1121B7	SPRING, RECOIL STARTER RETURN	0.3
11	1121A3	GRIP, RECOIL STARTER .....	0.1
12	1121B3	ROPE, RECOIL STARTER .....	0.3

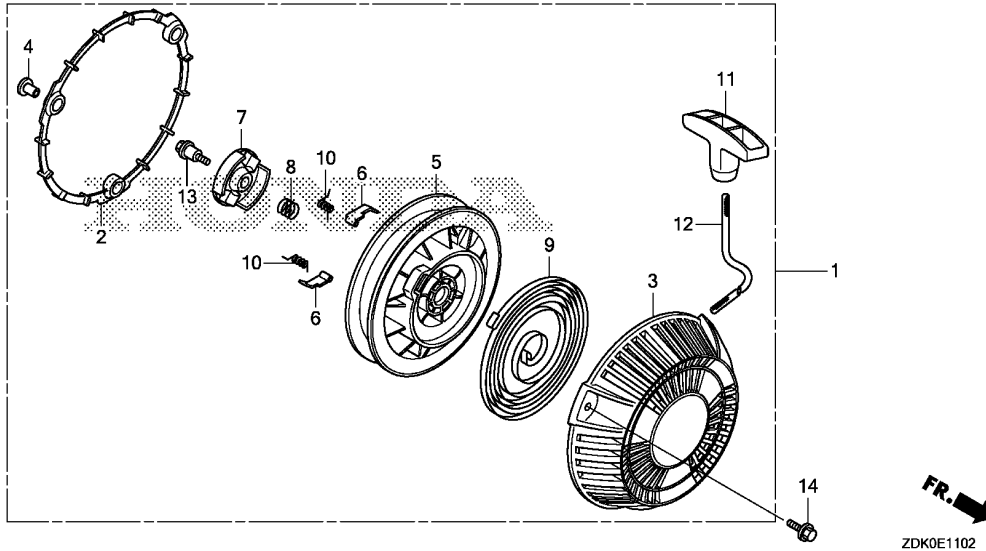
Ref. No.	Part No.	Description	Reqd. QTY		Serial No.	Parts catalogue code
			GP 160 H	GP 200 H		
1	28400-ZDK-003	STARTER ASSY., RECOIL .....	1	-	-----	PMB1,QD1,QH1,QHB1,QHKR,QHT,QMPB,QX1,QX3,SD1,SH1,SHW,VH1,VX1,VX3,WH1 WHJ,WHW
2	28414-ZDK-003	CASE, RECOIL STARTER .....	1	-	-----	PMB1,QD1,QH1,QHB1,QHKR,QHT,QMPB,QX1,QX3,SD1,SH1,SHW,VH1,VX1,VX3,WH1 WHJ,WHW
3	28415-ZDK-003	COLLAR, RECOIL STARTER .....	3	-	-----	PMB1,QD1,QH1,QHB1,QHKR,QHT,QMPB,QX1,QX3,SD1,SH1,SHW,VH1,VX1,VX3,WH1 WHJ,WHW
5	28421-ZDK-003	REEL, RECOIL STARTER .....	1	-	-----	PMB1,QD1,QH1,QHB1,QHKR,QHT,QMPB,QX1,QX3,SD1,SH1,SHW,VH1,VX1,VX3,WH1 WHJ,WHW
6	28422-ZDK-003	RATCHET, STARTER .....	2	-	-----	PMB1,QD1,QH1,QHB1,QHKR,QHT,QMPB,QX1,QX3,SD1,SH1,SHW,VH1,VX1,VX3,WH1 WHJ,WHW
7	28433-ZDK-003	GUIDE, RATCHET .....	1	-	-----	PMB1,QD1,QH1,QHB1,QHKR,QHT,QMPB,QX1,QX3,SD1,SH1,SHW,VH1,VX1,VX3,WH1 WHJ,WHW
8	28441-ZDK-003	SPRING, FRICTION .....	1	-	-----	PMB1,QD1,QH1,QHB1,QHKR,QHT,QMPB,QX1,QX3,SD1,SH1,SHW,VH1,VX1,VX3,WH1 WHJ,WHW
9	28442-ZDK-003	SPRING, RECOIL STARTER .....	1	-	-----	PMB1,QD1,QH1,QHB1,QHKR,QHT,QMPB,QX1,QX3,SD1,SH1,SHW,VH1,VX1,VX3,WH1 WHJ,WHW
10	28443-ZDK-003	SPRING, RETURN .....	2	-	-----	PMB1,QD1,QH1,QHB1,QHKR,QHT,QMPB,QX1,QX3,SD1,SH1,SHW,VH1,VX1,VX3,WH1 WHJ,WHW
11	28461-ZDK-003	NOB, RECOIL STARTER .....	1	-	-----	PMB1,QD1,QH1,QHB1,QHKR,QHT,QMPB,QX1,QX3,SD1,SH1,SHW,VH1,VX1,VX3,WH1 WHJ,WHW
12	28462-ZDK-003	ROPE, RECOIL STARTER .....	1	-	-----	PMB1,QD1,QH1,QHB1,QHKR,QHT,QMPB,QX1,QX3,SD1,SH1,SHW,VH1,VX1,VX3,WH1 WHJ,WHW
14	90003-ZDK-003	SCREW, SETTING .....	1	-	-----	PMB1,QD1,QH1,QHB1,QHKR,QHT,QMPB,QX1,QX3,SD1,SH1,SHW,VH1,VX1,VX3,WH1 WHJ,WHW
15	95701-06016-00	BOLT, FLANGE, 6X16 .....	3	-	-----	PMB1,QD1,QH1,QHB1,QHKR,QHT,QMPB,QX1,QX3,SD1,SH1,SHW,VH1,VX1,VX3,WH1 WHJ,WHW



Ref. No.	L.O.N.	(Relative ref. Number) Description	F.R.T.
1	1121B9	STARTER, RECOIL .....	0.1
6	1121B1	REEL, RECOIL STARTER .....	0.3
7	1121B0	(11) STARTER RATCHET AND/OR SPRING .....	0.2
8	1121A4	.NOTE: Same time for two units (9) GUIDE, RATCHET .....	0.2
10	1121B7	SPRING, RECOIL STARTER RETURN .....	0.3
12	1121A3	GRIP, RECOIL STARTER .....	0.1
13	1121B3	ROPE, RECOIL STARTER .....	0.3

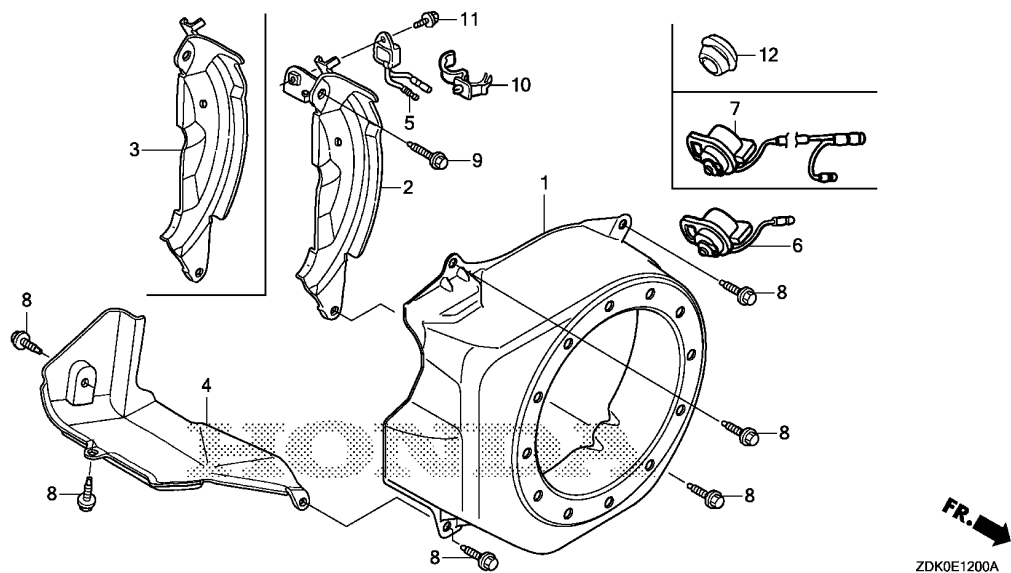
Ref. No.	Part No.	Description	Reqd. QTY		Serial No.	Parts catalogue code
			GP 160 H	GP 200 H		
1	28400-ZDL-003	STARTER ASSY., RECOIL .....	-	1	-----	QD1,QH1,QHB1,QHKR,QHT,QMPB,QX1,QX3,SD1,SH1,SHW,VX1,VX3
2	28405-ZDL-003	SPACER, RECOIL STARTER .....	-	1	-----	QD1,QH1,QHB1,QHKR,QHT,QMPB,QX1,QX3,SD1,SH1,SHW,VX1,VX3
3	28414-ZDK-003	CASE, RECOIL STARTER .....	-	1	-----	QD1,QH1,QHB1,QHKR,QHT,QMPB,QX1,QX3,SD1,SH1,SHW,VX1,VX3
5	28417-ZDL-003	COLLAR, RECOIL STARTER .....	-	3	-----	QD1,QH1,QHB1,QHKR,QHT,QMPB,QX1,QX3,SD1,SH1,SHW,VX1,VX3
6	28421-ZDK-003	REEL, RECOIL STARTER .....	-	1	-----	QD1,QH1,QHB1,QHKR,QHT,QMPB,QX1,QX3,SD1,SH1,SHW,VX1,VX3
7	28422-ZDK-003	RATCHET, STARTER .....	-	2	-----	QD1,QH1,QHB1,QHKR,QHT,QMPB,QX1,QX3,SD1,SH1,SHW,VX1,VX3
8	28433-ZDK-003	GUIDE, RATCHET .....	-	1	-----	QD1,QH1,QHB1,QHKR,QHT,QMPB,QX1,QX3,SD1,SH1,SHW,VX1,VX3
9	28441-ZDK-003	SPRING, FRICTION .....	-	1	-----	QD1,QH1,QHB1,QHKR,QHT,QMPB,QX1,QX3,SD1,SH1,SHW,VX1,VX3
10	28442-ZDK-003	SPRING, RECOIL STARTER .....	-	1	-----	QD1,QH1,QHB1,QHKR,QHT,QMPB,QX1,QX3,SD1,SH1,SHW,VX1,VX3
11	28443-ZDK-003	SPRING, RETURN .....	-	2	-----	QD1,QH1,QHB1,QHKR,QHT,QMPB,QX1,QX3,SD1,SH1,SHW,VX1,VX3
12	28461-ZDK-003	KNOB, RECOIL STARTER .....	-	1	-----	QD1,QH1,QHB1,QHKR,QHT,QMPB,QX1,QX3,SD1,SH1,SHW,VX1,VX3
13	28462-ZDK-003	ROPE, RECOIL STARTER .....	-	1	-----	QD1,QH1,QHB1,QHKR,QHT,QMPB,QX1,QX3,SD1,SH1,SHW,VX1,VX3
15	90003-ZDK-003	SCREW, SETTING .....	-	1	-----	QD1,QH1,QHB1,QHKR,QHT,QMPB,QX1,QX3,SD1,SH1,SHW,VX1,VX3
16	95701-06025-00	BOLT, FLANGE, 6X25 .....	-	3	-----	QD1,QH1,QHB1,QHKR,QHT,QMPB,QX1,QX3,SD1,SH1,SHW,VX1,VX3





Ref. No.	L.O.N.	(Relative ref. Number) Description	F.R.T.
1	1121B9	STARTER, RECOIL .....	0.1
5	1121B1	REEL, RECOIL STARTER .....	0.3
6	1121B0	(10) STARTER RATCHET AND/OR SPRING .....	0.2
		.NOTE: Same time for two units (8)	
7	1121A4	GUIDE, RATCHET .....	0.2
9	1121B7	SPRING, RECOIL STARTER RETURN .....	0.3
11	1121A3	GRIP, RECOIL STARTER .....	0.1
12	1121B3	ROPE, RECOIL STARTER .....	0.3

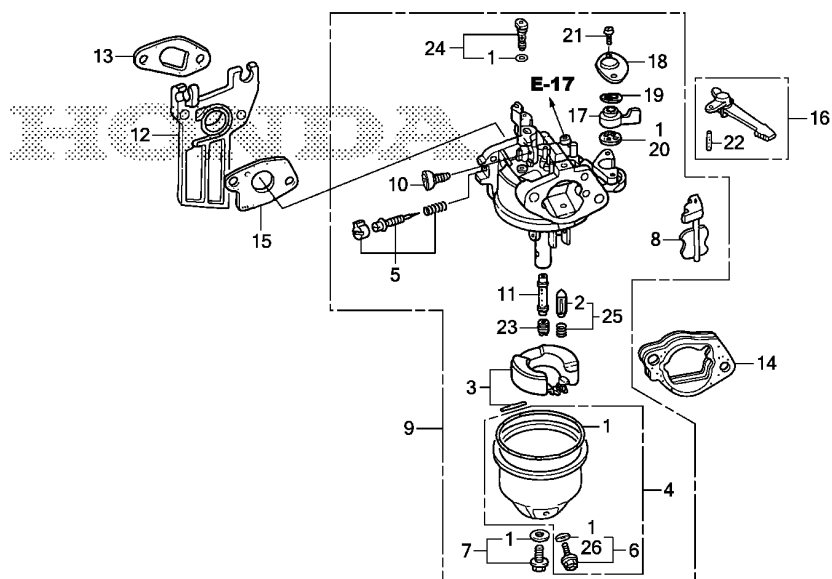
Ref. No.	Part No.	Description	Reqd. QTY		Serial No.	Parts catalogue code
			GP 160 H	GP 200 H		
1	28400-ZDK-681	STARTER ASSY., RECOIL .....	1	1	-----	CH1,CHJ,CHJ1,CHK,CHW,DHT
2	28405-ZDL-003	SPACER, RECOIL STARTER .....	1	1	-----	CH1,CHJ,CHJ1,CHK,CHW,DHT
3	28414-ZDK-681	CASE, RECOIL STARTER .....	1	1	-----	CH1,CHJ,CHJ1,CHK,CHW,DHT
4	28417-ZDL-003	COLLAR, RECOIL STARTER .....	3	3	-----	CH1,CHJ,CHJ1,CHK,CHW,DHT
5	28421-ZDK-681	REEL, RECOIL STARTER .....	1	1	-----	CH1,CHJ,CHJ1,CHK,CHW,DHT
6	28422-ZDK-681	RATCHET, STARTER .....	2	2	-----	CH1,CHJ,CHJ1,CHK,CHW,DHT
7	28433-ZDK-681	GUIDE, RATCHET .....	1	1	-----	CH1,CHJ,CHJ1,CHK,CHW,DHT
8	28441-ZDK-003	SPRING, FRICTION .....	1	1	-----	CH1,CHJ,CHJ1,CHK,CHW,DHT
9	28442-ZDK-003	SPRING, RECOIL STARTER .....	1	1	-----	CH1,CHJ,CHJ1,CHK,CHW,DHT
10	28443-ZDK-681	SPRING, RETURN .....	2	2	-----	CH1,CHJ,CHJ1,CHK,CHW,DHT
11	28461-ZDK-003	KNOB, RECOIL STARTER .....	1	1	-----	CH1,CHJ,CHJ1,CHK,CHW,DHT
12	28462-ZDK-003	ROPE, RECOIL STARTER .....	1	1	-----	CH1,CHJ,CHJ1,CHK,CHW,DHT
13	90003-ZDK-003	SCREW, SETTING .....	1	1	-----	CH1,CHJ,CHJ1,CHK,CHW,DHT
14	95701-06025-00	BOLT, FLANGE, 6X25 .....	3	3	-----	CH1,CHJ,CHJ1,CHK,CHW,DHT



Ref. No.	L.O.N.	(Relative ref. Number) Description	F.R.T.
1	1141G8	COVER, ENGINE COOLING FAN (3)	0.2
2	1121A7	PLATE, SIDE	0.3
4	4141E3	SHROUD, ENGINE	0.2
5	6151A0	ALERT UNIT, ENGINE OIL	0.1
6	6151D9	SWITCH, ENGINE STOP	0.2

Ref. No.	Part No.	Description	Reqd. QTY		Serial No.	Parts catalogue code
			GP 160 H	GP 200 H		
1	19610-ZDK-680ZA	COVER COMP., FAN	1	1	-----	CH1,CHJ,CHJ1,CHK,CHW,DHT
		*NH31*.....MCKINLEY WHITE	1	1	-----	PMB1,QD1,QH1,QHB1,QHCR,QHT,QMPB,QX1,QX3,SD1,SH1,SHW,VH1,VX1,VX3,WH1
	19610-ZDK-000ZA	*NH31*.....MCKINLEY WHITE	1	1	-----	WHJ,WHW
2	19611-ZH8-810	PLATE COMP., SIDE(OIL ALERT)	1	1	-----	QX1,QX3,VX1,VX3
3	19612-ZH8-000	PLATE, SIDE(STD.)	1	1	-----	CH1,CHJ,CHJ1,CHK,CHW,DHT,PMB1,QD1,QH1,QHB1,QHCR,QHT,QMPB,SD1,SH1,SHW,VH1,WH1,WHJ,WHW
4	19631-ZDK-000	SHROUD	1	1	-----	
5	34150-ZH7-023	ALERT UNIT, OIL	1	1	-----	QX1,QX3,VX1,VX3
6	35120-Z0D-V81	SWITCH ASSY., ENGINE STOP	1	1	-----	CH1,CHJ,CHJ1,CHK,CHW,DHT,PMB1,QD1,QH1,QHT,SD1,SH1,SHW,VH1,WH1,WHJ,WHW
7	36100-ZF6-P82	SWITCH ASSY., ENGINE STOP	1	1	-----	QX1,QX3,VX1,VX3
8	90013-883-000	BOLT, FLANGE, 6X12(CT200)	6	6	-----	
9	90022-888-010	BOLT, FLANGE, 6X20(CT200)	1	1	-----	
10	90601-Z1T-003	CLIP, HARNESS	1	1	-----	QX1,QX3,VX1,VX3
11	95701-06008-00	BOLT, FLANGE, 6X8	1	1	-----	QX1,QX3,VX1,VX3
12	81329-567-020	GROMMET, DRAIN HOLE	1	1	-----	QHB1,QHCR,QMPB

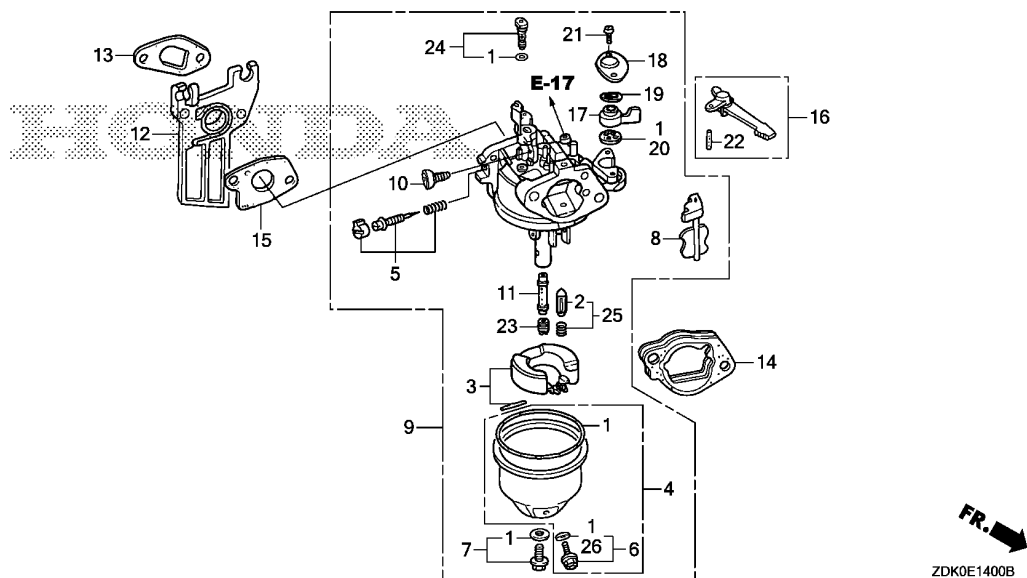




ZDK0E1400B

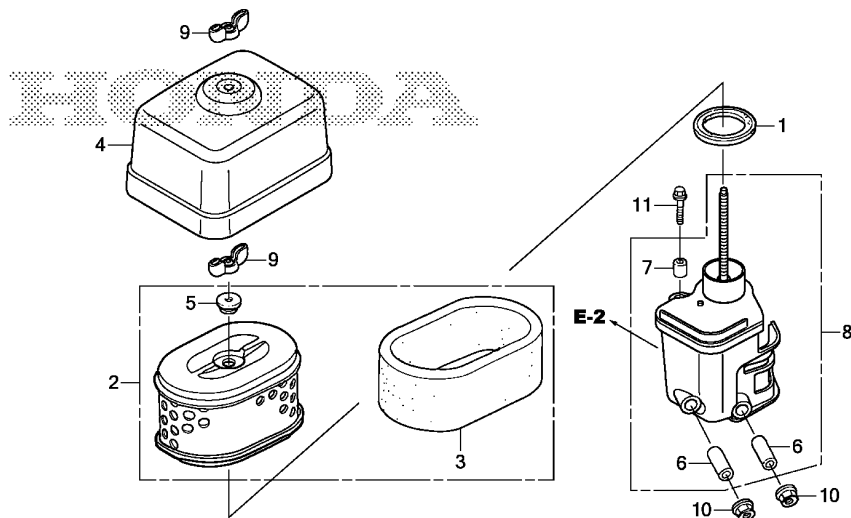
Ref. No.	L.O.N.	(Relative ref. Number) Description	F.R.T.
1	3111B1	GASKET SET, CARBURETOR (3,25)	0.3
2	3111E1	FLOAT VALVE SET AND/OR FLOAT SET	0.3
4	3111A3	FLOAT CHAMBER SET AND/OR GASKET	0.2
5	3111D7	SCREW SET, PILOT	0.2
9	3111F3	CARBURETOR (13)	0.2
12	3111C0	CARBURETOR INSULATOR AND/OR PACKING	0.2
14	3111D9	SPACER, CARBURETOR	0.1
15	3111C8	PACKING, CARBURETOR	0.2
16	8101F9	LEVER, CARBURETOR CHOKE (17,18,19)	0.2
20	3101C5	PACKING, FUEL COCK (11)	0.2
23	3111C3	JET, MAIN	0.3

Ref. No.	Part No.	Description	Reqd. QTY		Serial No.	Parts catalogue code
			GP 160 H	GP 200 H		
1	16010-ZE0-025	GASKET SET	1	1		
2	16011-Z1T-711	VALVE SET, FLOAT	1	-		
3	16013-Z1T-711	FLOAT SET	1	-		
	16013-Z0S-B01		-	1		
4	16015-ZE0-831	CHAMBER SET, FLOAT	1	1		
5	16016-ZH7-W01	SCREW SET, PILOT	1	1		
6	16024-ZE1-811	SCREW SET, DRAIN	1	1		
7	16028-ZE0-005	SCREW SET	1	1		
8	16044-ZE0-005	CHOKE SET	1	-		
	16044-Z4M-911		-	1		
9	16100-ZDK-003	CARBURETOR ASSY. (BEA2F A)	1	-		
	16100-ZDL-801	CARBURETOR ASSY. (BE69G A)	-	1	-----	CH1,CHJ,CHJ1,CHK,CHW,DHT,QH1,QHB1,QHKR,QHT,QMPB,QX1,QX3,SH1,SHW,VX1
	16100-ZDL-003	CARBURETOR ASSY. (BE69F A)	-	1	-----	QD1,SD1
10	16124-ZE0-005	SCREW, THROTTLE STOP	1	1		
11	16166-ZH8-W50	NOZZLE, MAIN	1	-		
	16166-ZDL-801		-	1	-----	CH1,CHJ,CHJ1,CHK,CHW,DHT,QH1,QHB1,QHKR,QHT,QMPB,QX1,QX3,SH1,SHW,VX1
	16166-ZDL-003		-	1	-----	QD1,SD1
12	16211-Z1T-000	INSULATOR, CARBURETOR (JLH)	1	-		
	16211-ZCW-000	INSULATOR, CARBURETOR	-	1		
13	16212-Z1T-701	PACKING, INSULATOR (NINGBO SIL GASKET)	1	1		
	16212-ZH8-800	PACKING, INSULATOR	(1)	(1)		
14	16220-ZE1-020	SPACER COMP., CARBURETOR	1	1		
15	16221-Z1T-701	PACKING, CARBURETOR (NINGBO SIL GASKET)	1	1		



ZDK0E1400B

Ref. No.	Part No.	Description	Reqd. QTY		Serial No.	Parts catalogue code
			GP 160 H	GP 200 H		
15)	16221-ZH8-801	PACKING, CARBURETOR	(1)	(1)		
	16	16610-Z1T-000 LEVER COMP., CHOKE(STD.)	1	1		
	17	16953-ZE1-812 LEVER, COCK	1	1		
	18	16954-ZE1-812 PLATE, LEVER SETTING	1	1		
	19	16956-ZE1-811 SPRING, COCK LEVER	1	1		
	20	16957-ZE1-812 PACKING, FUEL COCK	1	1		
	21	93500-03006-1H SCREW, PAN, 3X6	2	2		
	22	94305-20122 PIN, SPRING, 2X12	1	1		
	23	99101-ZH8-0680 JET, MAIN, #68	(1)	-		
		99101-ZH8-0700 JET, MAIN, #70	(1)	-		
		99101-ZH8-0720 JET, MAIN, #72	1	-		
		99101-ZH8-0750 JET, MAIN, #75	-	(1)		CH1,CHJ,CHJ1,CHK,CHW,DHT,QH1,QHB1,QHKR,QHT,QMPB,QX1,QX3,SH1,SHW,VX1
		99101-ZH8-0780 JET, MAIN, #78	-	1		VX3 CH1,CHJ,CHJ1,CHK,CHW,DHT,QH1,QHB1,QHKR,QHT,QMPB,QX1,QX3,SH1,SHW,VX1
		99101-ZH8-0700 JET, MAIN, #70	-	(1)		QD1,SD1
		99101-ZH8-0750 JET, MAIN, #75	-	1		QD1,SD1
	24	99204-ZE0-0350 JET SET, PILOT, #35	1	-		
		99204-ZE2-0400 JET SET, PILOT, #40	-	1		
	25	16011-ZE0-005 VALVE SET, FLOAT	-	1		
	26	16141-Z0S-003 WASHER, PLAIN	(1)	(1)		QHT,SHW,WHW



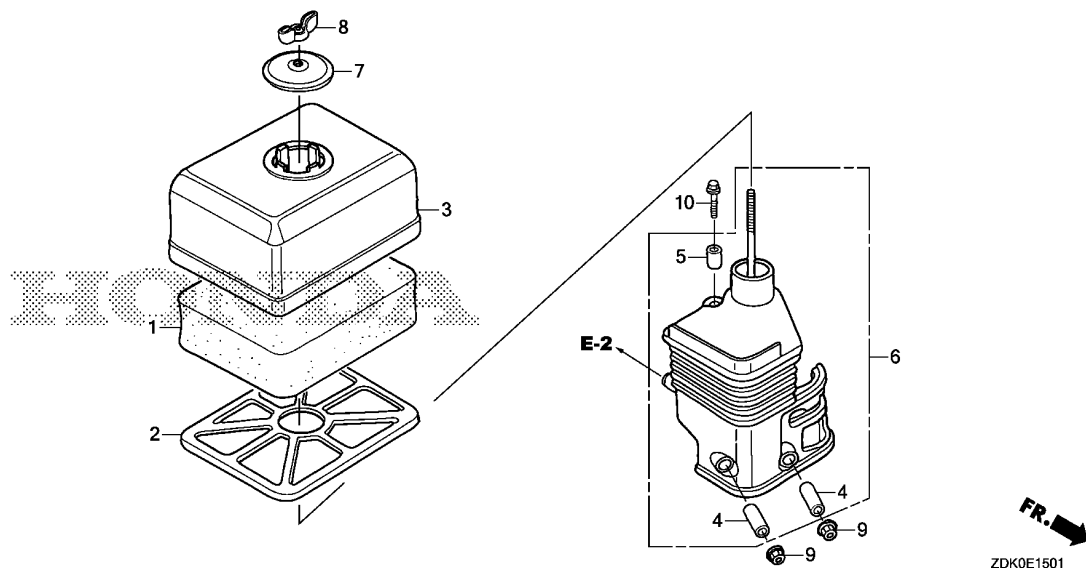
Ref. No.	L.O.N.	(Relative ref. Number) Description	F.R.T.
1	3121E1	PACKING, ELBOW .....	0.1
2	3121B8	ELEMENT, AIR CLEANER .....	0.1
		.INCLUDES: Air cleaner element -inspection	
3	3121C1	FILTER, OUTER .....	0.1
		.INCLUDES: Outer filter-inspection	
8	3121B4	ELBOW, AIR CLEANER .....	0.1

Ref. No.	Part No.	Description	Reqd. QTY		Serial No.	Parts catalogue code
			GP 160 H	GP 200 H		
1	16271-ZE1-000	PACKING, ELBOW .....	1	1	-----	CH1,CHJ,CHJ1,CHK,CHW,DHT,PMB1,QH1,QHB1,QHKR,QHT,QMPB,QX1,QX3,SH1,SHW,VH1,VX1,VX3,WH1,WHJ,WHW
2	17210-ZE1-822	ELEMENT, AIR CLEANER(DUAL) ..	1	1	-----	CH1,CHJ,CHJ1,CHK,CHW,DHT,PMB1,QH1,QHB1,QHKR,QHT,QMPB,QX1,QX3,SH1,SHW,VH1,VX1,VX3,WH1,WHJ,WHW
3	17218-ZE1-821	FILTER, OUTER .....	1	1	-----	CH1,CHJ,CHJ1,CHK,CHW,DHT,PMB1,QH1,QHB1,QHKR,QHT,QMPB,QX1,QX3,SH1,SHW,VH1,VX1,VX3,WH1,WHJ,WHW
4	17231-ZDK-820	COVER, AIR CLEANER .....	1	1	-----	CH1,CHJ,CHJ1,CHK,CHW,DHT,PMB1,QH1,QHB1,QHKR,QHT,QMPB,QX1,QX3,SH1,SHW,VH1,VX1,VX3,WH1,WHJ,WHW
5	17232-891-000	GROMMET, AIR CLEANER .....	1	1	-----	CH1,CHJ,CHJ1,CHK,CHW,DHT,PMB1,QH1,QHB1,QHKR,QHT,QMPB,QX1,QX3,SH1,SHW,VH1,VX1,VX3,WH1,WHJ,WHW
6	17238-ZE7-010	COLLAR, AIR CLEANER .....	2	2	-----	CH1,CHJ,CHJ1,CHK,CHW,DHT,PMB1,QH1,QHB1,QHKR,QHT,QMPB,QX1,QX3,SH1,SHW,VH1,VX1,VX3,WH1,WHJ,WHW
7	17239-ZE1-000	COLLAR B, AIR CLEANER .....	1	1	-----	CH1,CHJ,CHJ1,CHK,CHW,DHT,PMB1,QH1,QHB1,QHKR,QHT,QMPB,QX1,QX3,SH1,SHW,VH1,VX1,VX3,WH1,WHJ,WHW
8	17410-ZDK-000	ELBOW COMP., AIR CLEANER .....	1	1	-----	CH1,CHJ,CHJ1,CHK,CHW,DHT,PMB1,QH1,QHB1,QHKR,QHT,QMPB,QX1,QX3,SH1,SHW,VH1,VX1,VX3,WH1,WHJ,WHW
9	90325-044-000	NUT, TOOL BOX SETTING .....	2	2	-----	CH1,CHJ,CHJ1,CHK,CHW,DHT,PMB1,QH1,QHB1,QHKR,QHT,QMPB,QX1,QX3,SH1,SHW,VH1,VX1,VX3,WH1,WHJ,WHW
10	94050-06000	NUT, FLANGE, 6MM .....	2	2	-----	CH1,CHJ,CHJ1,CHK,CHW,DHT,PMB1,QH1,QHB1,QHKR,QHT,QMPB,QX1,QX3,SH1,SHW,VH1,VX1,VX3,WH1,WHJ,WHW
11	95701-06020-00	BOLT, FLANGE, 6X20 .....	1	1	-----	CH1,CHJ,CHJ1,CHK,CHW,DHT,PMB1,QH1,QHB1,QHKR,QHT,QMPB,QX1,QX3,SH1,SHW,VH1,VX1,VX3,WH1,WHJ,WHW

**E-15-1**

**AIR CLEANER(SEMI DRY)**

**E 1**

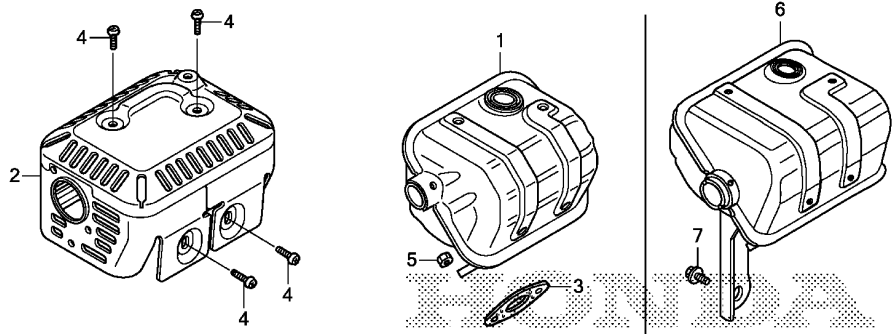


Ref. No.	L.O.N.	(Relative ref. Number) Description	F.R.T.
1	3121B8	ELEMENT, AIR CLEANER ..... .INCLUDES: Air cleaner element -inspection	0.1
6	3121B4	ELBOW, AIR CLEANER .....	0.1

Ref. No.	Part No.	Description	Reqd. QTY		Serial No.	Parts catalogue code
			GP 160 H	GP 200 H		
1	17211-ZE1-000	ELEMENT, AIR CLEANER(SEMI DRY)	1	1	-----	QD1,SD1
2	17212-ZE1-000	GRID, AIR CLEANER(SEMI DRY)	1	1	-----	QD1,SD1
3	17231-ZE1-000	COVER, AIR CLEANER(SEMI DRY)	1	1	-----	QD1,SD1
4	17238-ZE7-010	COLLAR, AIR CLEANER .....	2	2	-----	QD1,SD1
5	17239-ZE1-000	COLLAR B, AIR CLEANER .....	1	1	-----	QD1,SD1
6	17410-Z1T-010	ELBOW COMP., AIR CLEANER ....	1	1	-----	QD1,SD1
7	17421-ZE1-000	CAP, CLEANER .....	1	1	-----	QD1,SD1
8	90325-044-000	NUT, TOOL BOX SETTING .....	1	1	-----	QD1,SD1
9	94050-06000	NUT, FLANGE, 6MM .....	2	2	-----	QD1,SD1
10	95701-06020-00	BOLT, FLANGE, 6X20 .....	1	1	-----	QD1,SD1

**2**

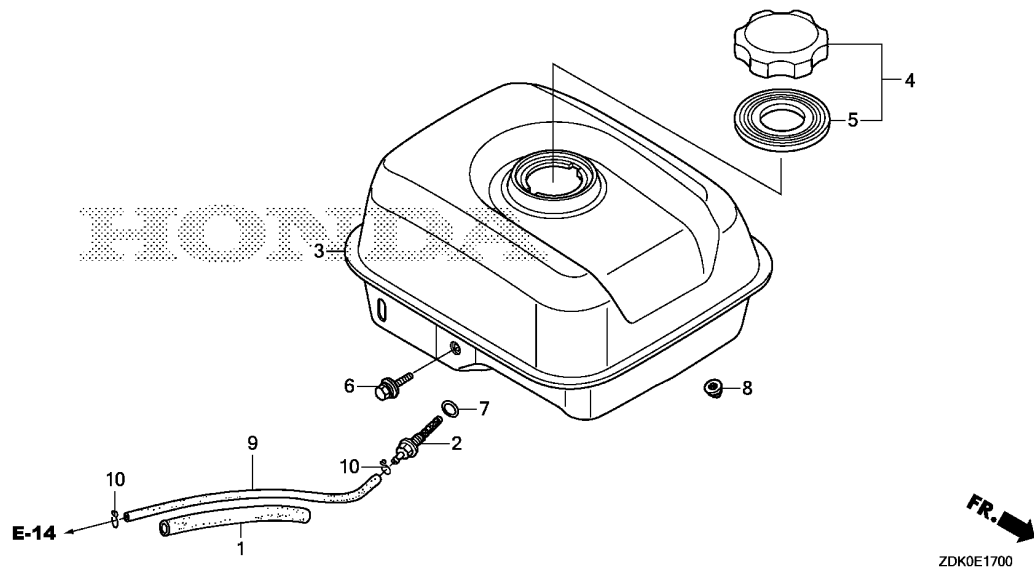




ZDK0E1600A

Ref. No.	L.O.N.	(Relative ref. Number) Description	F.R.T.
1	3131C5	(6) MUFFLER, EXHAUST .....	0.2
2	3131D5	PROTECTOR, EXHAUST MUFFLER :UPPER .....	0.2
3	3131B4	GASKET, EXHAUST MUFFLER .....	0.2

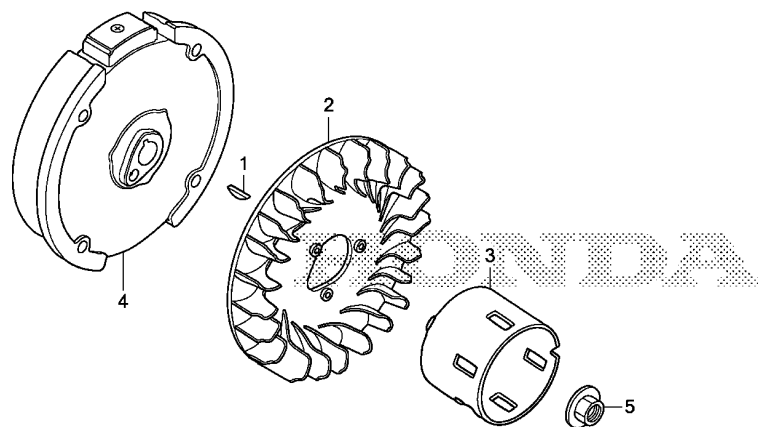
Ref. No.	Part No.	Description	Reqd. QTY		Serial No.	Parts catalogue code
			GP 160 H	GP 200 H		
1	18310-ZDK-000	MUFFLER COMP. ....	1	-		
2	18320-ZDK-000	PROTECTOR COMP., MUFFLER .....	1	-		
	18320-ZDL-000	.....	-	1		
3	18381-Z1T-003	GASKET, MUFFLER (GUANGZHOU LEAKLESS) .....	(1)	(1)		
	18381-Z1T-701	GASKET, MUFFLER (NINGBO SIL GASKET) .....	1	1		
4	90050-ZE1-000	SCREW, TAPPING, 5X8 .....	4	4		
5	94001-08000-0S	NUT, HEX., 8MM .....	2	2		
6	18310-ZDL-000	MUFFLER COMP. ....	-	1		
7	90016-ZE1-000	BOLT, FLANGE, 6X13(CT200) ...	-	1		



Ref. No.	L.O.N.	(Relative ref. Number) Description	F.R.T.
2	3101H6	(7) JOINT, FUEL STRAINER .....	0.2
3	3101H7	TANK, FUEL .....	0.2
4	3101M7	(5) CAP, FUEL FILLER .....	0.1
9	3101F1	TUBE, FUEL TANK .....	0.2

Ref. No.	Part No.	Description	Reqd. QTY		Serial No.	Parts catalogue code
			GP 160 H	GP 200 H		
1	16854-ZH8-000	RUBBER, SUPPORTER(107MM) ....	1	1		
2	16955-Z1T-010	JOINT, FUEL TANK .....	1	1		
3	17510-ZDK-000ZA	TANK COMP., FUEL *NH31*.....MCKINLEY WHITE	1	1		
4	17620-Z1T-800	CAP COMP., FUEL FILLER (CHROME PLATED)(TOYOSHA)	1	1		
5	17631-Z1T-800	PACKING, FUEL FILLER CAP (39X62X3)(TOYOSHA)	1	1		
6	90004-Z1T-000	BOLT, FLANGE, 6X29 .....	1	-		
	90004-ZCW-000	BOLT, FLANGE, 6X34 .....	-	1		
7	91353-671-004	O-RING, 14MM(NOK) .....	1	1		
8	94050-06000	NUT, FLANGE, 6MM .....	2	2		
9	95001-45140-40	TUBE, FUEL, 4.5X140 (95001-45001-60M)	1	-		
	95001-45145-40	TUBE, FUEL, 4.5X145 (95001-45001-60M)	-	1		
10	95002-02080	CLIP, TUBE(B8) .....	2	2		

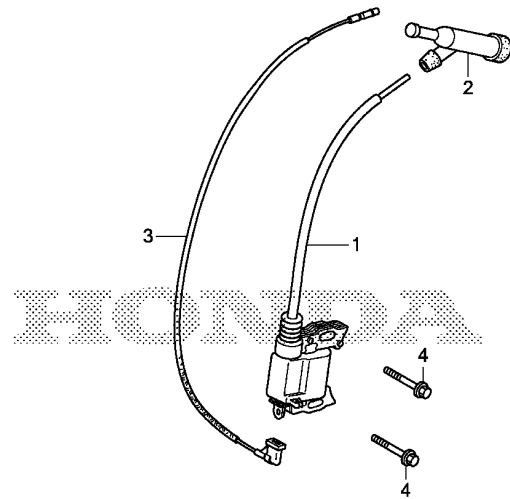




Ref. No.	L.O.N.	(Relative ref. Number) Description	F.R.T.
2	1141G7	FAN, ENGINE COOLING .....	0.2
3	1121A9	PULLEY, RECOIL STARTER .....	0.2
4	2161B5	FLYWHEEL .....	0.3

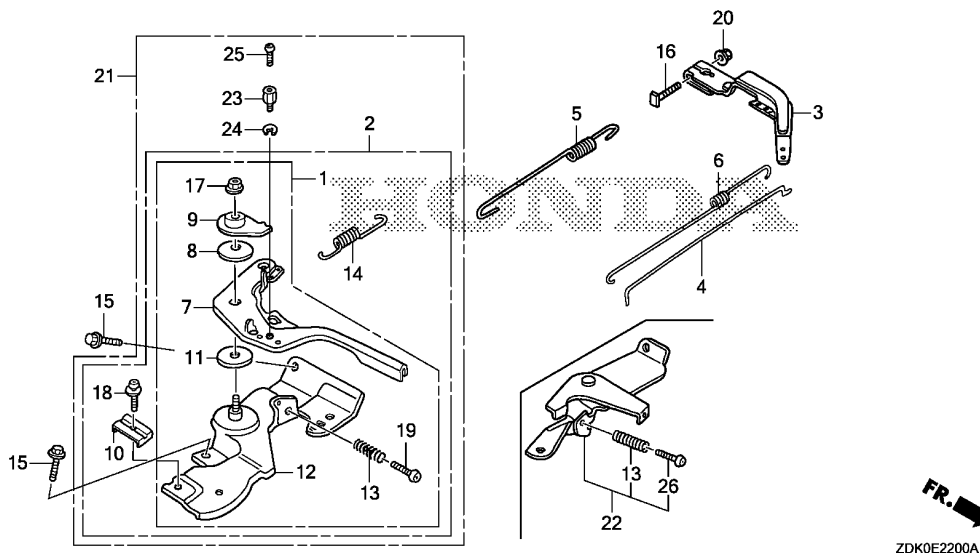
2

Ref. No.	Part No.	Description	Reqd. QTY		Serial No.	Parts catalogue code
			GP 160 H	GP 200 H		
1	13331-357-000	KEY, SPECIAL WOODRUFF, 25X18	1	1		
2	19511-ZDK-680	FAN, COOLING .....	1	1	-----	CH1,CHJ,CHJ1,CHK,CHW,DHT
	19511-Z1T-000	.....	1	1	-----	PMB1,QD1,QH1,QHB1,QHKR,QHT,QMPB,QX1,QX3,SD1,SH1,SHW,VH1,VX1,VX3,WH1 WHJ,WHW
3	28451-ZDL-003	PULLEY, STARTER .....	1	-	-----	CH1,CHJ,CHJ1,CHK,CHW,DHT
	28451-ZDK-003	.....	1	-	-----	PMB1,QD1,QH1,QHB1,QHKR,QHT,QMPB,QX1,QX3,SD1,SH1,SHW,VH1,VX1,VX3,WH1 WHJ,WHW
	28451-ZDL-003	.....	-	1		
4	31110-ZDK-681	FLYWHEEL COMP. ....	1	-	-----	CH1,CHJ,CHJ1,CHK,CHW,DHT
	31110-Z1T-004	FLYWHEEL COMP.(YUXIN) .....	1	-	-----	PMB1,QD1,QH1,QHB1,QHKR,QHT,QMPB,QX1,QX3,SD1,SH1,SHW,VH1,VX1,VX3,WH1 WHJ,WHW
	31110-ZDL-681	FLYWHEEL COMP. ....	-	1	-----	CH1,CHJ,CHJ1,CHK,CHW,DHT
	31110-Z1V-003	.....	-	1	-----	QD1,QH1,QHB1,QHKR,QHT,QMPB,QX1,QX3,SD1,SH1,SHW,VX1,VX3
5	90201-Z1T-000	NUT, SPECIAL, 14MM .....	1	1		



Ref. No.	L.O.N.	(Relative ref. Number) Description	F.R.T.
1	6141A5	COIL, IGNITION(ONE) .....	0.2
2	6141B8	TERMINAL, HIGH TENSION .....	0.1
3	6111B3	CORD, STOP SWITCH .....	0.3

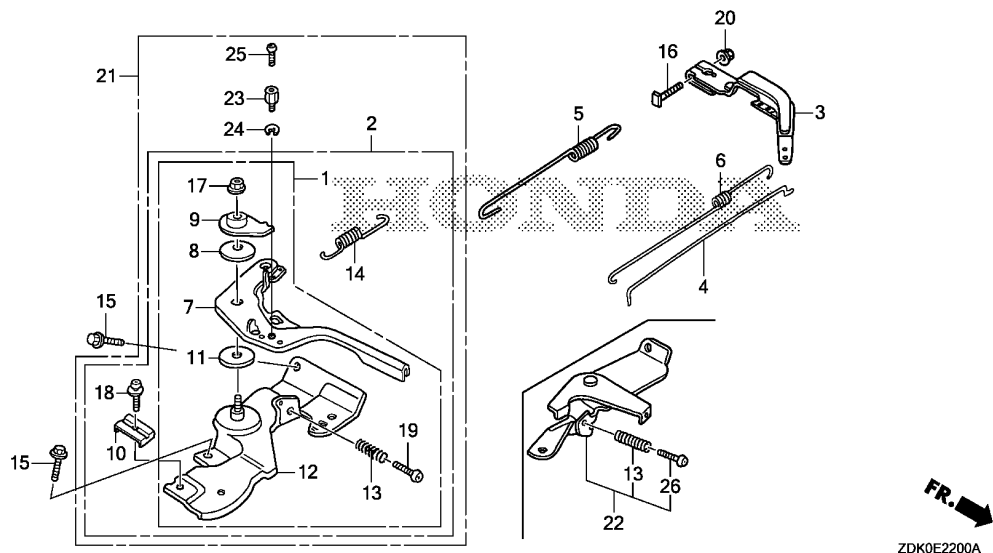
Ref. No.	Part No.	Description	Reqd. QTY		Serial No.	Parts catalogue code
			GP 160 H	GP 200 H		
1	30500-ZDK-004	COIL ASSY., IGNITION .....	1	1		
2	30700-ZDK-004	CAP ASSY., NOISE SUPPRESSOR .	1	1		
3	32195-ZDK-004	CORD, STOP SWITCH .....	1	1		
4	90121-952-000	BOLT, FLANGE, 6X25(CT200) ...	2	2		



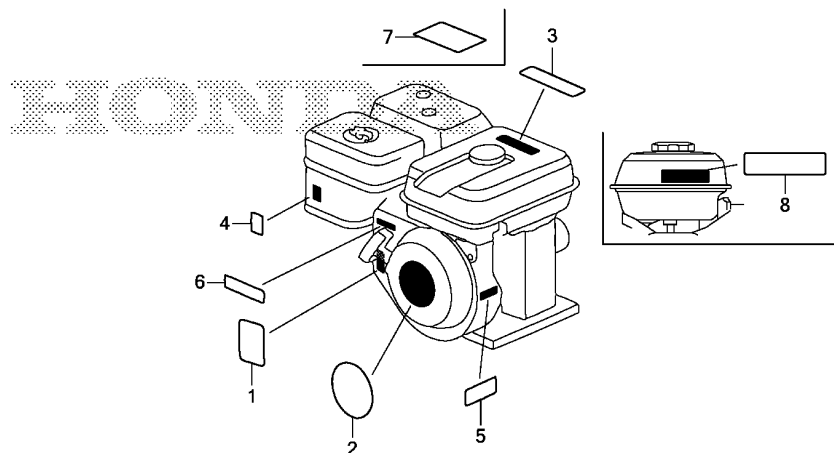
Ref. No.	L.O.N.	(Relative ref. Number) Description	F.R.T.
1		(2,21,22)	
1	1161A5	CONTROL, THROTTLE/GOVERNOR ...	0.2
3	1161A0	ARM, GOVERNOR .....	0.2
4	1161B1	ROD, GOVERNOR .....	0.3
5	1161C5	SPRING, GOVERNOR .....	0.2
6	1161C2	SPRING, THROTTLE RETURN .....	0.3
7	1161A8	LEVER, CONTROL .....	0.3
12	1161A2	BASE, CONTROL .....	0.3
14	1161B7	SPRING, CABLE RETURN .....	0.2

ZDK0E2200A

Ref. No.	Part No.	Description	Reqd. QTY		Serial No.	Parts catalogue code
			GP 160 H	GP 200 H		
1	16500-Z1T-000	CONTROL ASSY. ....	1	1	-----	PMB1,VH1,VX1,WH1,WHJ,WHW
2	16500-Z1T-600	CONTROL ASSY. (REMOTE) .....	1	1	-----	CH1,CHJ,CHJ1,CHK,CHW,DHT,QD1,QH1,QHT,QX1,QX3,SD1,SH1,SHW
3	16551-ZE0-010	ARM, GOVERNOR .....	1	-	-----	
	16551-ZL0-000	.....	-	1	-----	
4	16555-ZE1-000	ROD, GOVERNOR .....	1	1	-----	
5	16561-ZDK-000	SPRING, GOVERNOR .....	1	-	-----	CH1,CHJ,CHJ1,CHK,CHW,DHT,QHB1,QHKB,QHT,QMPB,QX3,SHW,WHJ,WHW
	16561-ZE1-020	.....	1	-	-----	PMB1,QD1,QH1,QX1,SD1,SH1,VH1,VX1,WH1
	16561-ZDK-690	.....	1	-	-----	VX3
	16561-ZDL-000	.....	-	1	-----	CH1,CHJ,CHJ1,CHK,CHW,DHT,QD1,QH1,QHB1,QHKB,QHT,QMPB,QX1,QX3,SD1,SH1
	16561-ZDL-690	.....	-	1	-----	SHW,VX1 VX3
6	16562-ZE1-020	SPRING, THROTTLE RETURN .....	1	1	-----	
7	16571-Z1T-000	LEVER, CONTROL .....	1	1	-----	CH1,CHJ,CHJ1,CHK,CHW,DHT,PMB1,QD1,QH1,QHB1,QHKB,QHT,QMPB,QX1,QX3,SD1 SH1,SHW,VH1,VX1,WH1,WHJ,WHW
8	16574-ZE1-000	SPRING, LEVER .....	1	1	-----	CH1,CHJ,CHJ1,CHK,CHW,DHT,PMB1,QD1,QH1,QHB1,QHKB,QHT,QMPB,QX1,QX3,SD1 SH1,SHW,VH1,VX1,WH1,WHJ,WHW
9	16575-ZH8-000	WASHER, CONTROL LEVER .....	1	1	-----	CH1,CHJ,CHJ1,CHK,CHW,DHT,PMB1,QD1,QH1,QHB1,QHKB,QHT,QMPB,QX1,QX3,SD1 SH1,SHW,VH1,VX1,WH1,WHJ,WHW
10	16576-891-000	HOLDER, CABLE .....	1	1	-----	CH1,CHJ,CHJ1,CHK,CHW,DHT,QD1,QH1,QHB1,QHKB,QHT,QMPB,QX1,QX3,SD1,SH1 SHW
11	16578-ZE1-000	SPACER, CONTROL LEVER .....	1	1	-----	CH1,CHJ,CHJ1,CHK,CHW,DHT,PMB1,QD1,QH1,QHB1,QHKB,QHT,QMPB,QX1,QX3,SD1 SH1,SHW,VH1,VX1,WH1,WHJ,WHW
12	16580-ZH8-813	BASE COMP., CONTROL (REMOTE) ..	1	1	-----	CH1,CHJ,CHJ1,CHK,CHW,DHT,QD1,QH1,QHB1,QHKB,QHT,QMPB,QX1,QX3,SD1,SH1 SHW
	16580-ZH8-030	BASE COMP., CONTROL .....	1	1	-----	PMB1,VH1,VX1,WH1,WHJ,WHW
13	16584-883-300	SPRING, CONTROL ADJUSTING ...	1	1	-----	



Ref. No.	Part No.	Description	Reqd. QTY		Serial No.	Parts catalogue code
			GP 160 H	GP 200 H		
14	16592-ZE1-810	SPRING, CABLE RETURN	1	1	-----	CH1,CHJ,CHJ1,CHK,CHW,DHT,QD1,QH1,QHB1,QHKR,QHT,QMPB,QX1,QX3,SD1,SH1 SHW
15	90013-883-000	BOLT, FLANGE, 6X12(CT200)	2	2	-----	
16	90015-ZE5-010	BOLT, GOVERNOR ARM	1	1	-----	
17	90114-SAO-000	NUT, SELF-LOCK, 6MM	1	1	-----	CH1,CHJ,CHJ1,CHK,CHW,DHT,PMB1,QD1,QH1,QHB1,QHKR,QHT,QMPB,QX1,QX3,SD1 SH1,SHW,VH1,VX1,WH1,WHJ,WHW
	90202-Z1T-000		1	1	-----	CH1,CHJ,CHJ1,CHK,CHW,DHT,PMB1,QD1,QH1,QHB1,QHKR,QHT,QMPB,QX1,QX3,SD1 SH1,SHW,VH1,VX1,WH1,WHJ,WHW
18	93500-05016-0A	SCREW, PAN, 5X16	1	1	-----	CH1,CHJ,CHJ1,CHK,CHW,DHT,QD1,QH1,QHB1,QHKR,QHT,QMPB,QX1,QX3,SD1,SH1 SHW
19	93500-05025-0H	SCREW, PAN, 5X25	1	1	-----	CH1,CHJ,CHJ1,CHK,CHW,DHT,QD1,QH1,QHB1,QHKR,QHT,QMPB,QX1,QX3,SD1,SH1 SHW
	93500-05025-0A		1	1	-----	PMB1,VH1,VX1,WH1,WHJ,WHW
20	94050-06000	NUT, FLANGE, 6MM	1	1	-----	
21	16500-Z1T-610	CONTROL ASSY. (REMOTE/INTERNAL)	1	1	-----	QHB1,QHKR,QMPB
22	16570-ZB2-000	CONTROL ASSY.	1	1	-----	VX3
23	16594-883-010	HOLDER, WIRE	1	1	-----	QHB1,QHKR,QMPB
24	90605-Z1T-000	CIRCLIP, 5MM	1	1	-----	QHB1,QHKR,QMPB
25	93500-04006-0H	SCREW, PAN, 4X6	1	1	-----	QHB1,QHKR,QMPB
26	93500-05035-0A	SCREW, PAN, 5X35	1	1	-----	VX3

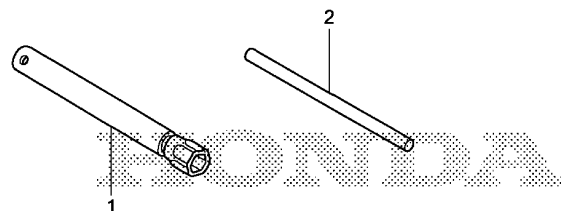


ZDK0E2800A

Ref. L.O.N. (Relative ref. Number) F.R.T.  
No. Description

NO INFORMATION .....

Ref. No.	Part No.	Description	Reqd. QTY		Serial No.	Parts catalogue code
			GP 160 H	GP 200 H		
1	87114-ZH7-000	LABEL, WARNING (NOT CERTIFIED FOR SALE)	1	1	-----	CH1,CHJ,CHJ1,CHK,CHW,DHT,PMB1,QD1,QH1,QHT,QX1,SD1,SH1,SHW,VH1,VX1,WH1,WHJ,WHW
	87114-ZH7-850	LABEL, WARNING	1	1	-----	QHB1,QHKR,QMPB,QX3,VX3
2	87521-ZDK-000	EMBLEM(GP160)	1	-	-----	
	87521-ZDL-000	EMBLEM	-	1	-----	
3	87522-Z1T-G21	LABEL, CAUTION	1	1	-----	CH1,PMB1,QD1,QH1,QX1,SD1,SH1,VH1,VX1,WH1
	87520-Z1V-000	MARK A, COMBINATION(JAPANESE)	1	1	-----	CHJ,WHJ
	87516-Z1T-800	MARK, OPERATOR CAUTION	1	1	-----	CHK
	87516-Z1V-800		1	1	-----	CHW,SHW,WHW
	87522-ZDK-740	LABEL, CAUTION(THAI)	1	1	-----	DHT,QHT
4	87528-ZH7-000	MARK, CHOKE(GRAY)	1	1	-----	QD1,QHB1,QHKR,QMPB,QX3,SD1,VX3
5	87532-ZH8-810	MARK, OIL ALERT(ENGLISH)	1	1	-----	QX1,QX3,VX1,VX3
6	87532-ZH8-W40	MARK, THROTTLE INDICATION	1	-	-----	PMB1,WH1,WHJ,WHW
7	87519-Z4N-000	MARK, OPERATOR CAUTION (PICTOGRAPH)	1	1	-----	CHJ1,QHB1,QHKR,QMPB,QX3,VX3
8	87526-Z1V-000	MARK B, COMBINATION(JAPANESE)	1	1	-----	CHJ,WHJ



ZDK0E2900

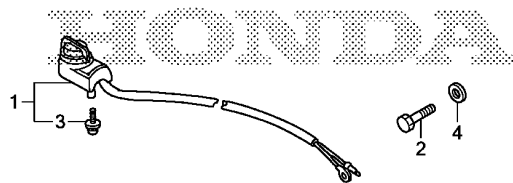
Ref. L.O.N. (Relative ref. Number) F.R.T.  
No. Description

NO INFORMATION .....

Ref. No.	Part No.	Description	Reqd. QTY		Serial No.	Parts catalogue code
			GP 160 H	GP 200 H		
1	89218-ZE1-000	WRENCH COMP., SPARK PLUG .....	1	1	-----	CH1,CHJ,CHJ1,CHK,CHW,DHT,PMB1,QD1,QH1,QHT,QX1,SD1,SH1,SHW,VH1,VX1,WH1,WHJ,WHW
2	89219-805-000	HANDLE, BOX WRENCH .....	1	-	-----	CH1,CHK,CHW,DHT,QH1,QHT,QX1,SD1,SH1,SHW,VH1,VX1
			-	1	-----	CH1,CHK,CHW,DHT,QD1,QH1,QHT,QX1,SD1,SH1,SHW,VX1







ZDK0E4000

Ref. L.O.N. (Relative ref. Number) F.R.T.  
No. Description

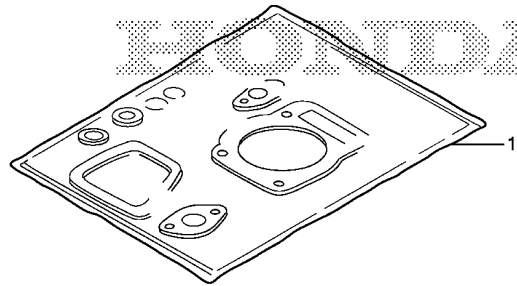
NO INFORMATION .....

Ref. No.	Part No.	Description	Reqd. QTY		Serial No.	Parts catalogue code
			GP 160 H	GP 200 H		
1	35120-746-C21	SWITCH ASSY., ENGINE STOP ...	1	1	-----	QMPB
2	90003-ZE1-000	BOLT, HEX., 5/16" .....	1	1	-----	QHKR
3	90105-733-D61	BOLT, 3X12(SEMS) .....	1	1	-----	QMPB
4	90473-842-000	WASHER, 8MM .....	1	1	-----	QHKR

EOP-1

GASKET KIT

E11



ZDK0X0100

Ref. No.	L.O.N.	(Relative ref. Number)	Description	F.R.T.
----------	--------	------------------------	-------------	--------

NO INFORMATION .....

Ref. No.	Part No.	Description	Reqd. QTY		Serial No.	Parts catalogue code
			GP 160 H	GP 200 H		
1	06111-ZDK-000	GASKET KIT .....	(1)	(1)		

2

# PART NO. INDEX

F 1

Part Number	Address	Page	Ref.	Part Number	Address	Page	Ref.	Part Number	Address	Page	Ref.	Part Number	Address	Page	Ref.
06000				14100-ZDK-751	D7	27	18	16511-ZE1-000	D2	22	3	18381-Z1T-701	E2	38	3
06111-ZDK-000	E11	47	1	14100-ZDL-681	D7	27	17	16513-ZE1-000	D2	22	4	19000			
11000				14100-ZDL-751	D7	27	18	16531-Z1T-000	D2	22	5	31110-Z1T-004	E4	40	4
11300-ZDK-630	D4	24	1	14100-ZLO-000	D7	27	2	16541-Z1T-000	D2	22	6	31110-Z1V-003	E4	40	4
11300-ZDK-640	D4	24	1	14410-ZE1-010	D7	27	3	16551-ZE0-010	E6	42	3	31110-ZDK-681	E4	40	4
11300-ZDK-680	D4	24	9	14431-ZE1-000	D7	27	4	16551-ZLO-000	E6	42	3	31110-ZDL-681	E4	40	4
12000				14441-ZE1-010	D7	27	5	16555-ZE1-000	E6	42	4				
12000-ZDK-405	D2	22	1	14451-Z7E-000	D7	27	6	16561-ZDK-000	E6	42	5	19511-Z1T-000	E4	40	2
12000-ZDK-406	D2	22	1	14568-ZE1-000	D7	27	7	16561-ZDK-690	E6	42	5	19511-ZDK-680	E4	40	2
12000-ZDL-405	D2	22	1	14711-ZF1-000	D7	27	8	16561-ZDL-000	E6	42	5	19610-ZDK-000ZA	D13	33	1
12000-ZDL-406	D2	22	1	14721-ZF1-000	D7	27	9	16561-ZDL-690	E6	42	5	19610-ZDK-680ZA	D13	33	1
12209-ZH8-003	D7	27	1	14731-ZLO-000	D7	27	5	16561-ZE1-020	E6	42	5	19611-ZH8-810	D13	33	2
12210-Z1T-405	D1	21	1	14751-ZF1-000	D7	27	10	16562-ZE1-020	E6	42	6	19612-ZH8-000	D13	33	3
12251-ZLO-003	D1	21	2	14771-ZE1-000	D7	27	11	16570-ZB2-000	E7	43	22	19631-ZDK-000	D13	33	4
12310-ZE1-020	D1	21	3	14773-ZE1-000	D7	27	12	16571-Z1T-000	E6	42	7				
12312-Z1T-701	D1	21	4	14781-ZE1-000	D7	27	13	16574-ZE1-000	E6	42	8	28400-ZDK-003	D10	30	1
12391-ZE1-000	D1	21	4	14791-ZE1-010	D7	27	14	16575-ZH8-000	E6	42	9	28400-ZDK-681	D12	32	1
13000				15000				16576-891-000	E6	42	10	28400-ZDL-003	D11	31	1
13010-Z4K-004	D6	26	1	15600-Z1T-000	D4	24	2	16578-ZE1-000	E6	42	11	28405-ZDL-003	D11	31	2
13010-Z4P-003	D6	26	1	15600-Z1T-600	D4	24	3	16580-ZH8-030	E6	42	12	28414-ZDK-003	D10	30	2
13011-Z4K-004	D6	26	1	15625-Z1T-000	D4	24	4	16580-ZH8-813	E6	42	12	28414-ZDK-681	D11	31	3
13011-Z4P-003	D6	26	1	15721-ZH8-000	D1	21	5	16584-883-300	E6	42	13	28415-ZDK-003	D12	32	3
13012-Z4K-004	D6	26	1	16000				16592-ZE1-810	E7	43	14	28417-ZDL-003	D10	30	3
13012-Z4P-003	D6	26	1	16010-ZE0-025	D14	34	1	16594-883-010	E7	43	23	28417-ZDL-003	D11	31	5
13013-Z4K-004	D6	26	1	16011-Z1T-711	D14	34	2	16610-Z1T-000	D15	35	16	28421-ZDK-003	D10	30	5
13013-Z4P-003	D6	26	1	16011-ZE0-005	D15	35	25	16854-ZH8-000	E3	39	1	28421-ZDK-003	D11	31	6
13012-Z4P-003	D6	26	1	16013-Z0S-B01	D14	34	3	16953-ZE1-812	D15	35	17	28421-ZDK-681	D12	32	5
13013-Z4K-004	D6	26	1	16013-Z1T-711	D14	34	3	16954-ZE1-812	D15	35	18	28422-ZDK-003	D10	30	6
13013-Z4P-003	D6	26	1	16013-Z1T-711	D14	34	3	16955-Z1T-010	E3	39	2	28422-ZDK-003	D11	31	7
13013-Z4P-003	D6	26	1	16015-ZE0-831	D14	34	4	16956-ZE1-811	D15	35	19	28422-ZDK-681	D12	32	6
13101-Z1T-010	D6	26	2	16016-ZH7-W01	D14	34	5	16957-ZE1-812	D15	35	20	28433-ZDK-003	D10	30	7
13101-ZDL-003	D6	26	2	16024-ZE1-811	D14	34	6	17000				28433-ZDK-681	D11	31	8
13102-Z1T-000	D6	26	2	16028-ZE0-005	D14	34	7	17210-ZE1-822	D16	36	2	28441-ZDK-003	D10	30	8
13102-ZDL-003	D6	26	2	16044-Z4M-911	D14	34	8	17211-ZE1-000	E1	37	1	28442-ZDK-003	D11	31	9
13103-Z1T-000	D6	26	2	16044-ZE0-005	D14	34	8	17212-ZE1-000	E1	37	2	28442-ZDK-003	D12	32	8
13103-ZDL-003	D6	26	2	16100-ZDK-003	D14	34	9	17218-ZE1-821	D16	36	3	28442-ZDK-003	D10	30	9
13104-Z1T-000	D6	26	2	16100-ZDL-003	D14	34	9	17231-ZDK-820	D16	36	4	28443-ZDK-003	D11	31	10
13104-ZDL-003	D6	26	2	16100-ZDL-801	D14	34	9	17231-ZE1-000	E1	37	3	28443-ZDK-003	D12	32	9
13111-Z1T-000	D6	26	3	16124-ZE0-005	D14	34	10	17232-891-000	D16	36	5	28443-ZDK-003	D10	30	10
13200-Z1T-600	D6	26	4	16141-Z0S-003	D15	35	26	17238-ZE7-010	D16	36	6	28443-ZDK-681	D11	31	11
13310-Z1T-630	D5	25	1	16166-ZDL-003	D14	34	11	17239-ZE1-000	D16	36	7	28451-ZDK-003	D12	32	10
13310-Z1T-650	D5	25	2	16166-ZDL-801	D14	34	11	17410-Z1T-010	E1	37	5	28451-ZDK-003	E4	40	3
13310-Z1T-670	D5	25	3	16166-ZH8-W50	D14	34	11	17410-ZDK-000	D16	36	8	28451-ZDL-003	E4	40	3
13310-Z1T-800	D5	25	4	16211-Z1T-000	D14	34	12	17421-ZE1-000	E1	37	7	28461-ZDK-003	D10	30	11
13310-Z1T-880	D5	25	5	16211-ZCW-000	D14	34	12	17510-ZDK-000ZA	E3	39	3	28461-ZDK-003	D11	31	12
13310-ZCW-000	D5	25	5	16212-Z1T-701	D14	34	13	17620-Z1T-800	E3	39	4	28462-ZDK-003	D12	32	11
13310-ZCW-600	D5	25	4	16212-ZH8-800	D14	34	13	17631-Z1T-800	E3	39	5	28462-ZDK-003	D10	30	12
13310-ZCW-670	D5	25	3	16220-ZE1-020	D14	34	14	18000				28462-ZDK-003	D11	31	13
13310-ZDK-681	D5	25	7	16221-Z1T-701	D14	34	15	18310-ZDK-000	E2	38	1	30500-ZDK-004	D12	32	12
13310-ZDL-681	D5	25	7	16221-ZH8-801	D15	35	15	18310-ZDL-000	E2	38	6	30700-ZDK-004	D10	30	14
13331-357-000	E4	40	1	16271-ZE1-000	D16	36	1	18320-ZDK-000	E2	38	2	90001-Z1T-000	D6	26	5
14000				16500-Z1T-000	E6	42	1	18320-ZDL-000	E2	38	2	90003-ZDK-003	D10	30	14
14100-Z1T-810	D7	27	2	16500-Z1T-600	E6	42	2	18320-ZDK-000	E2	38	2	90003-ZDK-003	D11	31	15
14100-ZDK-681	D7	27	17	16500-Z1T-610	E7	43	21	18320-ZDL-000	E2	38	2	90003-ZE1-000	D12	32	13
				16510-Z1T-000	D2	22	2	18381-Z1T-003	E2	38	3	90004-Z1T-000	E10	46	2
				16510-ZDL-000	D3	23	19					90004-Z1T-000	E3	39	6

# PART NO. INDEX

F 2

Part Number	Address	Page	Ref.	Part Number	Address	Page	Ref.	Part Number	Address	Page	Ref.	Part Number	Address	Page	Ref.
90004-ZCW-000	E3	39	6	94101-06800	D2	22	16								
90012-ZE0-010	D7	27	15	94251-08000	D2	22	17								
90013-883-000	D1	21	6	94301-08140	D4	24	6								
	D13	33	8	94301-10160	D1	21	9								
	E7	43	15	94305-20122	D15	35	22								
90015-ZE5-010	E7	43	16												
90016-ZE1-000	E2	38	7	95000											
90022-888-010	D13	33	9												
90043-ZDK-000	D1	21	7	95001-45140-40	E3	39	9								
90047-ZDK-000	D1	21	8	95001-45145-40	E3	39	9								
90050-ZE1-000	E2	38	4	95002-02080	E3	39	10								
90105-733-D61	E10	46	3	95701-06008-00	D13	33	11								
90114-SAO-000	E7	43	17	95701-06012-00	D3	23	18								
90121-952-000	E5	41	4	95701-06016-00	D10	30	15								
90131-ZE1-000	D2	22	8	95701-06020-00	D16	36	11								
90201-Z1T-000	E4	40	5		E1	37	10								
90202-Z1T-000	E7	43	17	95701-06025-00	D11	31	16								
90206-ZE1-000	D7	27	16		D12	32	14								
90325-044-000	D16	36	9	95701-08032-00	D4	24	7								
	E1	37	8	95701-08060-00	D1	21	10								
90451-Z1T-000	D2	22	9												
90473-842-000	E10	46	4	96000											
90551-ZE1-000	D6	26	6												
90601-Z1T-003	D13	33	10	96100-62050-00	D4	24	8								
90601-ZE1-000	D2	22	10												
90602-ZE1-000	D2	22	11	98000											
90605-Z1T-000	E7	43	24												
90741-883-810	D5	25	6	98079-56846	D1	21	11								
	D7	27	19	98079-56855	D1	21	11								
90745-ZE1-600	D5	25	6												
	D7	27	19	99000											
91000				99101-ZH8-0680	D15	35	23								
				99101-ZH8-0700	D15	35	23								
91001-Z1T-003	D2	22	12	99101-ZH8-0720	D15	35	23								
91001-ZF1-003	D2	22	12	99101-ZH8-0750	D15	35	23								
91001-ZF1-004	D2	22	12	99101-ZH8-0780	D15	35	23								
91202-Z1T-003	D2	22	13	99204-ZE0-0350	D15	35	24								
	D4	24	5	99204-ZE2-0400	D15	35	24								
91353-671-004	E3	39	7												
91353-Z7E-003	D2	22	14												
93000															
93500-03006-1H	D15	35	21												
93500-04006-0H	E7	43	25												
93500-05016-0A	E7	43	18												
93500-05025-0A	E7	43	19												
93500-05025-0H	E7	43	19												
93500-05035-0A	E7	43	26												
94000															
94001-08000-0S	E2	38	5												
94050-06000	D16	36	10												
	E1	37	9												
	E3	39	8												
	E7	43	20												
94050-10000	D2	22	15												

3

# PART NAME INDEX

G 1

Part name	Address	Page	Ref.	Part name	Address	Page	Ref.	Part name	Address	Page	Ref.
[ A ]				CLIP, TUBE .....	E3	39	10	GUIDE, RATCHET .....	D11	31	8
ALERT UNIT, OIL .....	D13	33	5	COIL ASSY., IGNITION .....	E5	41	1		D12	32	7
ARM, GOVERNOR .....	E6	42	3	COLLAR B, AIR CLEANER .....	D16	36	7	[ H ]			
ARM, VALVE ROCKER .....	D7	27	4	E1	37	5		HANDLE, BOX WRENCH .....	E9	45	2
[ B ]				COLLAR, AIR CLEANER .....	D16	36	6	HEAD COMP., CYLINDER .....	D1	21	1
BARREL ASSY., CYLINDER .....	D2	22	1	E1	37	4	HOLDER, CABLE .....	E6	42	10	
BASE COMP., CONTROL .....	E6	42	12	COLLAR, RECOIL STARTER .....	D10	30	3	HOLDER, WIRE .....	E7	43	23
BEARING, RADIAL BALL .....	D2	22	12	D11	31	5	[ I ]				
BEARING, RADIAL BALL, 6205 ...	D2	22	12	D12	32	4	INSULATOR, CARBURETOR .....	D14	34	12	
	D4	24	8	CONTROL ASSY. ....	E6	42	1	[ J ]			
	D4	24	8					JET SET, PILOT, #35 .....	D15	35	24
BOLT, 3X12 .....	E10	46	3	CORD, STOP SWITCH .....	E5	41	3	JET SET, PILOT, #40 .....	D15	35	24
BOLT, CONNECTING ROD .....	D6	26	5	COVER ASSY., CRANKCASE .....	D4	24	1	JET, MAIN, #68 .....	D15	35	23
BOLT, DRAIN PLUG .....	D2	22	8					JET, MAIN, #70 .....	D15	35	23
BOLT, FLANGE, 6X12 .....	D1	21	6	COVER COMP., FAN .....	D13	33	1	JET, MAIN, #72 .....	D15	35	23
	D3	23	18	COVER COMP., HEAD .....	D1	21	3	JET, MAIN, #75 .....	D15	35	23
	D13	33	8	COVER, AIR CLEANER .....	D16	36	4	JET, MAIN, #78 .....	D15	35	23
	E7	43	15	E1	37	3	JOINT, FUEL TANK .....	E3	39	2	
BOLT, FLANGE, 6X13 .....	E2	38	7	CRANKSHAFT COMP. ....	D5	25	1	[ K ]			
BOLT, FLANGE, 6X16 .....	D10	30	15					KEY, 4.78X4.78X38 .....	D5	25	6
BOLT, FLANGE, 6X20 .....	D13	33	9	[ D ]				KEY, 5X5X33 .....	D5	25	6
	D16	36	11	DOWEL PIN, 10X16 .....	D1	21	9		D7	27	19
	E1	37	10	DOWEL PIN, 8X14 .....	D4	24	6	KEY, SPECIAL WOODRUFF, 25X18 ..	E4	40	1
BOLT, FLANGE, 6X25 .....	D11	31	16	[ E ]				KNOB, RECOIL STARTER .....	D10	30	11
	D12	32	14	ELBOW COMP., AIR CLEANER .....	D16	36	8		D11	31	12
	E5	41	4	E1	37	6			D12	32	11
BOLT, FLANGE, 6X29 .....	E3	39	6	ELEMENT, AIR CLEANER .....	D16	36	2	[ L ]			
BOLT, FLANGE, 6X34 .....	E3	39	6	EMBLEM .....	E8	44	2	LABEL, CAUTION .....	E8	44	3
BOLT, FLANGE, 6X8 .....	D13	33	11	[ F ]				LABEL, WARNING .....	E8	44	1
BOLT, FLANGE, 8X32 .....	D4	24	7	FAN, COOLING .....	E4	40	2	LEVER COMP., CHOKE .....	D15	35	16
BOLT, FLANGE, 8X60 .....	D1	21	10	FILTER, OUTER .....	D16	36	3	LEVER, COCK .....	D15	35	17
BOLT, GOVERNOR ARM .....	E7	43	16	FLOAT SET .....	D14	34	3	LEVER, CONTROL .....	E6	42	7
BOLT, HEX., 5/16" .....	E10	46	2	FLYWHEEL COMP. ....	E4	40	4	LIFTER, VALVE .....	D7	27	5
BOLT, PIVOT, 8MM .....	D7	27	15	[ G ]				[ M ]			
BOLT, STUD, 6X112 .....	D1	21	7	GASKET KIT .....	E11	47	1	MARK A, COMBINATION .....	E8	44	3
BOLT, STUD, 8X32 .....	D1	21	8	GASKET SET .....	D14	34	1	MARK B, COMBINATION .....	E8	44	8
[ C ]				GASKET, CYLINDER HEAD .....	D1	21	2	MARK, CHOKE .....	E8	44	4
CAMSHAFT ASSY. ....	D7	27	2	GASKET, MUFFLER .....	E2	38	3	MARK, OIL ALERT .....	E8	44	5
				GOVERNOR ASSY. ....	D2	22	2	MARK, OPERATOR CAUTION .....	E8	44	3
CAP ASSY., NOISE SUPPRESSOR ..	E5	41	2	GRID, AIR CLEANER .....	E1	37	2	MARK, THROTTLE INDICATION .....	E8	44	6
CAP ASSY., OIL FILLER .....	D4	24	2	GROMMET, AIR CLEANER .....	D16	36	5	MUFFLER COMP. ....	E2	38	1
				GROMMET, DRAIN HOLE .....	D13	33	12				
CAP COMP., FUEL FILLER .....	E3	39	4	GUIDE, RATCHET .....	D10	30	7				
CAP, CLEANER .....	E1	37	7	[ H ]							
CARBURETOR ASSY. ....	D14	34	9	[ I ]							
CASE, RECOIL STARTER .....	D10	30	2	[ J ]							
	D11	31	3	[ K ]							
	D12	32	3	[ L ]							
CHAMBER SET, FLOAT .....	D14	34	4	[ M ]							
CHOKE SET .....	D14	34	8	[ N ]							
CIRCLIP, 5MM .....	E7	43	24	[ O ]							
CLIP, GOVERNOR HOLDER .....	D2	22	11	[ P ]							
CLIP, HARNESS .....	D13	33	10	[ Q ]							
CLIP, PISTON PIN, 18MM .....	D6	26	6	[ R ]							

# PART NAME INDEX

G 2

Part name	Address	Page	Ref.	Part name	Address	Page	Ref.	Part name	Address	Page	Ref.	
[ N ]				ROD, PUSH .....	D7	27	3	TUBE, BREATHER .....	D1	21	5	
NOZZLE, MAIN .....	D14	34	11	ROPE, RECOIL STARTER .....	D10	30	12	TUBE, FUEL, 4.5X140 .....	E3	39	9	
NUT, FLANGE, 10MM .....	D2	22	15		D11	31	13	TUBE, FUEL, 4.5X145 .....	E3	39	9	
NUT, FLANGE, 6MM .....	D16	36	10		D12	32	12	[ V ]				
	E1	37	9	ROTATOR, VALVE .....	D7	27	13	VALVE SET, FLOAT .....	D14	34	2	
	E3	39	8	RUBBER, SUPPORTER .....	E3	39	1		D15	35	25	
	E7	43	20	[ S ]				VALVE, EX. ....	D7	27	9	
NUT, HEX., 8MM .....	E2	38	5	SCREW SET .....	D14	34	7	VALVE, IN. ....	D7	27	8	
NUT, PIVOT ADJUSTING .....	D7	27	16	SCREW SET, DRAIN .....	D14	34	6	[ W ]				
NUT, SELF-LOCK, 6MM .....	E7	43	17	SCREW SET, PILOT .....	D14	34	5	WASHER, 8MM .....	E10	46	4	
NUT, SPECIAL, 14MM .....	E4	40	5	SCREW, PAN, 3X6 .....	D15	35	21	WASHER, CONTROL LEVER .....	E6	42	9	
NUT, TOOL BOX SETTING .....	D16	36	9	SCREW, PAN, 4X6 .....	E7	43	25	WASHER, DRAIN PLUG, 10.2MM .....	D2	22	10	
	E1	37	8	SCREW, PAN, 5X16 .....	E7	43	18	WASHER, PLAIN .....	D15	35	26	
[ O ]				SCREW, PAN, 5X25 .....	E7	43	19	WASHER, PLAIN, 6MM .....	D2	22	16	
OIL SEAL, 25X41X6 .....	D2	22	13	SCREW, PAN, 5X35 .....	E7	43	26	WASHER, THRUST, 6MM .....	D2	22	9	
	D4	24	5	SCREW, SETTING .....	D10	30	14	WEIGHT, GOVERNOR .....	D2	22	3	
O-RING, 14MM .....	D2	22	14		D11	31	15	WRENCH COMP., SPARK PLUG .....	E9	45	1	
	E3	39	7		D12	32	13					
[ P ]				SCREW, TAPPING, 5X8 .....	E2	38	4					
PACKING, CARBURETOR .....	D14	34	15	SCREW, THROTTLE STOP .....	D14	34	10					
	D15	35	15	SEAL, VALVE STEM .....	D7	27	1					
PACKING, ELBOW .....	D16	36	1	SHAFT, GOVERNOR ARM .....	D2	22	6					
PACKING, FUEL COCK .....	D15	35	20	SHROUD .....	D13	33	4					
PACKING, FUEL FILLER CAP .....	E3	39	5	SLIDER, GOVERNOR .....	D2	22	5					
PACKING, HEAD COVER .....	D1	21	4	SPACER COMP., CARBURETOR .....	D14	34	14					
PACKING, INSULATOR .....	D14	34	13	SPACER, CONTROL LEVER .....	E6	42	11					
PACKING, OIL FILLER CAP .....	D4	24	4	SPACER, RECOIL STARTER .....								
PIN, GOVERNOR WEIGHT .....	D2	22	4		MOUNTING	D11	31	2				
PIN, LOCK, 8MM .....	D2	22	17		D12	32	2					
PIN, PISTON .....	D6	26	3	SPRING, CABLE RETURN .....	E7	43	14					
PIN, SPRING, 2X12 .....	D15	35	22	SPRING, COCK LEVER .....	D15	35	19					
PISTON .....	D6	26	2	SPRING, CONTROL ADJUSTING .....	E6	42	13					
PIVOT, ROCKER ARM .....	D7	27	6	SPRING, FRICTION .....	D10	30	8					
PLATE COMP., SIDE .....	D13	33	2		D11	31	9					
PLATE, LEVER SETTING .....	D15	35	18	SPRING, GOVERNOR .....	E6	42	5					
PLATE, PUSH ROD GUIDE .....	D7	27	14	SPRING, LEVER .....	E6	42	8					
PLATE, SIDE .....	D13	33	3	SPRING, RECOIL STARTER .....	D10	30	9					
PLUG, SPARK .....	D1	21	11		D11	31	10					
PROTECTOR COMP., MUFFLER .....	E2	38	2	SPRING, RETURN .....	D10	30	10					
PULLEY, STARTER .....	E4	40	3		D11	31	11					
[ R ]					D12	32	10					
RATCHET, STARTER .....	D10	30	6	SPRING, THROTTLE RETURN .....	E6	42	6					
	D11	31	7	SPRING, VALVE .....	D7	27	10					
	D12	32	6	SPRING, WEIGHT RETURN .....	D7	27	7					
REEL, RECOIL STARTER .....	D10	30	5	STARTER ASSY., RECOIL .....	D10	30	1					
	D11	31	6		D11	31	1					
	D12	32	5		D12	32	1					
RETAINER, EX. VALVE SPRING .....	D7	27	12	SWITCH ASSY., ENGINE STOP .....	D13	33	6					
RETAINER, IN. VALVE SPRING .....	D7	27	11									
RING SET, PISTON .....	D6	26	1		E10	46	1					
ROD ASSY., CONNECTING .....	D6	26	4	SWITCH ASSY., OIL LEVEL .....	D2	22	7					
ROD, GOVERNOR .....	E6	42	4	[ T ]								
				TANK COMP., FUEL .....	E3	39	3					

---

**1**

**FOREWORD INDEX**

---

**2**

**ENGINE GROUP**

---

**3**

**PART NUMBER INDEX**

---

**4**

**PART NAME INDEX**

---

**HONDA**  
The Power of Dreams